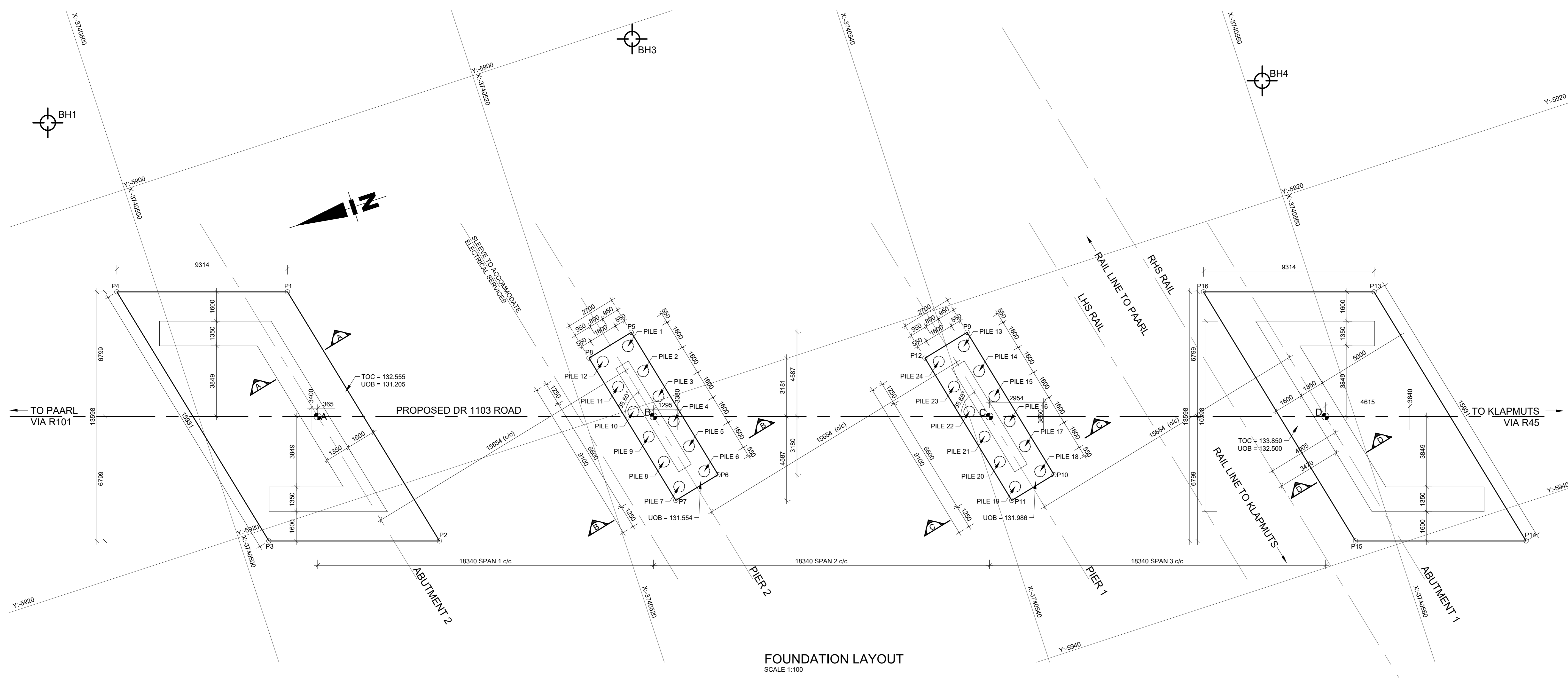


NOTES

- FOUNDATION EXCAVATIONS TO BE INSPECTED BY GEOTECHNICAL ENGINEER TO CONFIRM ALLOWABLE BEARING PRESSURE OF 300-350kPa AT FOUNDING LEVEL PRIOR TO CASTING OF ANY BLINDING.
- NOTE THAT FOUNDATION EXCAVATIONS WILL BE MOISTURE SENSITIVE AND MAY NOT BE TRAFFICED OVER.
- 600mm DIAMETER CFA PILES DESIGNED BY SPECIALIST FOR 1750kN SAFE WORKING LOAD.
- MINIMUM PILE REINFORCEMENT TO BE Ø125.
- PERMANENT VERTICAL SHORING TO BE DESIGNED BY SPECIALIST AND SUBMITTED VIA CONSULTANT TO TRANSET FOR APPROVAL PRIOR TO CONSTRUCTION.

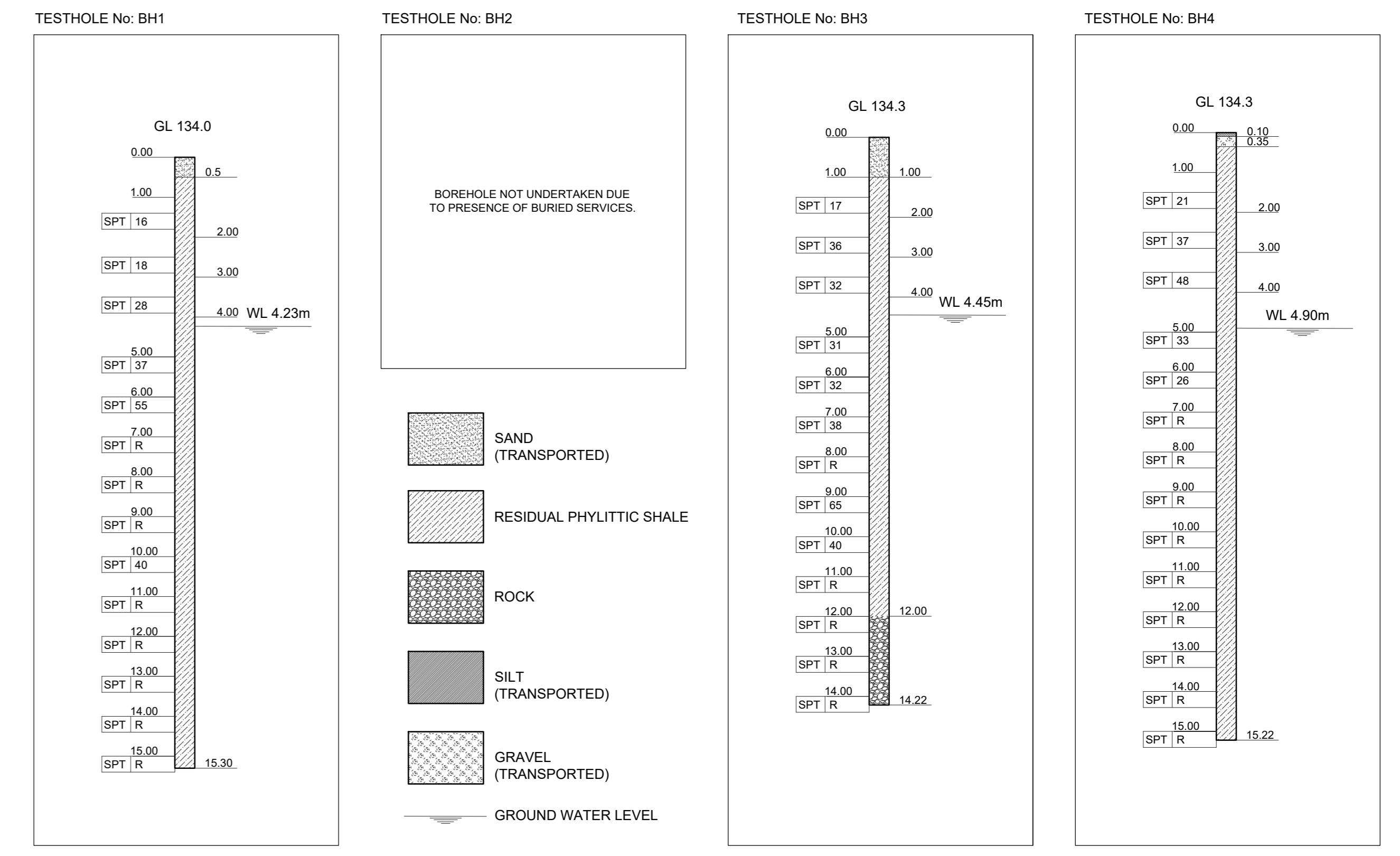
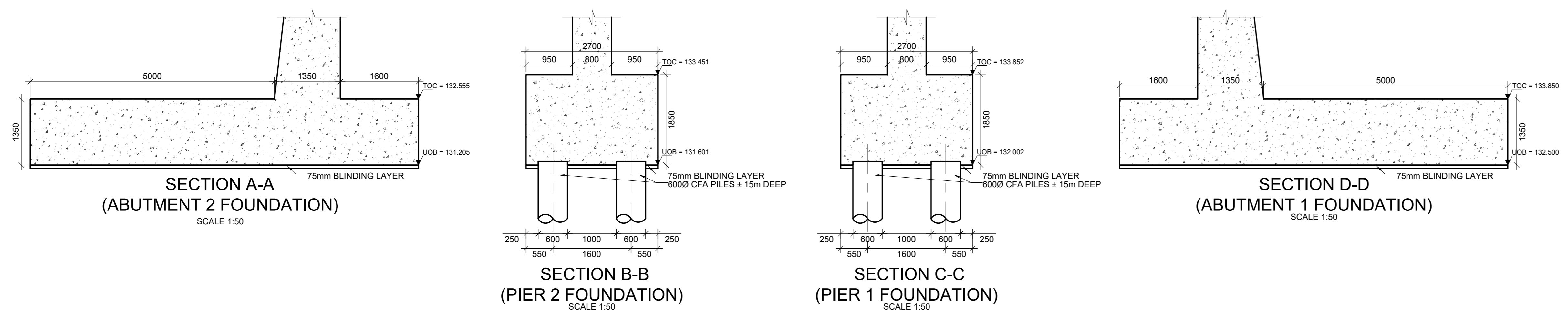
TABLE OF COORDINATES

POINT	X - COORDINATE	Y - COORDINATE	POINT	X - COORDINATE	Y - COORDINATE
A	-3740506.179	-5915.051	PILE 3	-3740524.207	-5919.785
B	-3740523.612	-5920.748	PILE 4	-3740524.575	-5921.342
C	-3740541.045	-5926.444	PILE 5	-3740524.943	-5922.899
D	-3740558.478	-5932.140	PILE 6	-3740525.311	-5924.456
P1	-3740506.724	-5908.077	PILE 7	-3740523.754	-5924.825
P2	-3740510.390	-5923.580	PILE 8	-3740523.386	-5923.267
P3	-3740501.536	-5920.687	PILE 9	-3740523.018	-5921.710
P4	-3740497.870	-5905.184	PILE 10	-3740522.649	-5920.153
P5	-3740523.879	-5916.009	PILE 11	-3740522.281	-5918.596
P6	-3740525.973	-5924.865	PILE 12	-3740521.913	-5917.039
P7	-3740523.345	-5925.486	PILE 13	-3740540.903	-5922.368
P8	-3740521.251	-5916.631	PILE 14	-3740541.271	-5923.925
P9	-3740541.312	-5921.706	PILE 15	-3740541.639	-5925.482
P10	-3740543.406	-5930.562	PILE 16	-3740542.008	-5927.039
P11	-3740540.778	-5931.183	PILE 17	-3740542.376	-5928.596
P12	-3740538.684	-5922.327	PILE 18	-3740542.744	-5930.153
P13	-3740563.120	-5926.505	PILE 19	-3740541.187	-5930.521
P14	-3740566.787	-5942.009	PILE 20	-3740540.819	-5928.964
P15	-3740557.933	-5939.116	PILE 21	-3740540.451	-5927.407
P16	-3740554.267	-5923.612	PILE 22	-3740540.082	-5925.850
PILE 1	-3740523.470	-5916.671	PILE 23	-3740539.714	-5924.293
PILE 2	-3740523.838	-5918.228	PILE 24	-3740539.346	-5922.736



AS BUILT ACTUAL PILE LENGTHS

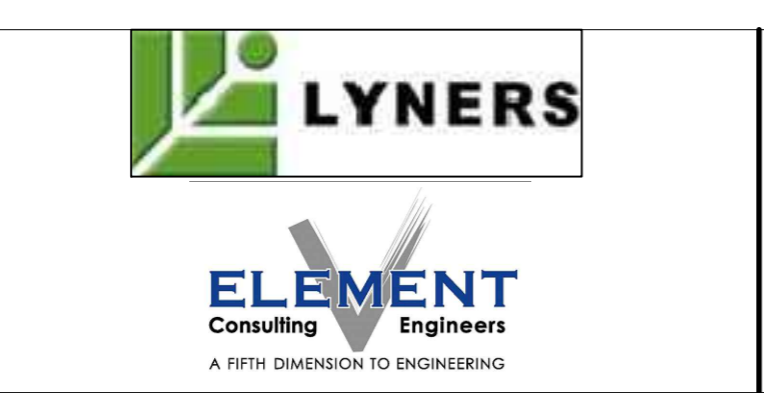
PILE	RECORDED DEPTH	REFERENCE LEVEL
PILE 1		
PILE 2		
PILE 3		
PILE 4		
PILE 5		
PILE 6		
PILE 7		
PILE 8		
PILE 9		
PILE 10		
PILE 11		
PILE 12		
PILE 13		
PILE 14		
PILE 15		
PILE 16		
PILE 17		
PILE 18		
PILE 19		
PILE 20		
PILE 21		
PILE 22		
PILE 23		
PILE 24		



FOR TENDER
(TENDER APPROVAL ONLY)

0 m 50 m 100 m
1 cm = 10 m for A0 size

NO.	DATE	ADDITIONS AND AMENDMENTS	APPROVED CONS.	DESIGNED BY:	CW
A	13.02.2018	FOR TENDER APPROVAL	PRE	CHECKED BY:	LDT
				DRAWN BY:	CW
				CHECKED BY:	BZ



WESTERN CAPE GOVERNMENT
DEPARTMENT OF TRANSPORT AND PUBLIC WORKS

CONSULTING ENGINEERS
DATE: _____

APPROVED
THIS APPROVAL IS FOR PROCEDURAL AND ADMINISTRATIVE REVIEW PURPOSES ONLY AND DOES NOT ATTRACT LEGAL LIABILITY OF ANY KIND FROM WHATSOEVER OR HOWEVER ARISING

PROVINCIAL ROADS ENGINEER
DATE: _____

PROPOSED ROAD OVER RAIL BRIDGE No. 6048 ON DR 1103 OVER KLAPMUTS-PAARL RAIL NEAR SIMONSVLEI

FOUNDATION LAYOUT

P.R.E.'S FILE NO.	SCALE
970123	AS SHOWN
CONTRACT NO.	WCG STRUCTURE PLAN
TPW 16/8/14-C0850.01	
CONSULTANTS DWG NO.	WCG INDEX NO.
150049/S/004	A93/17