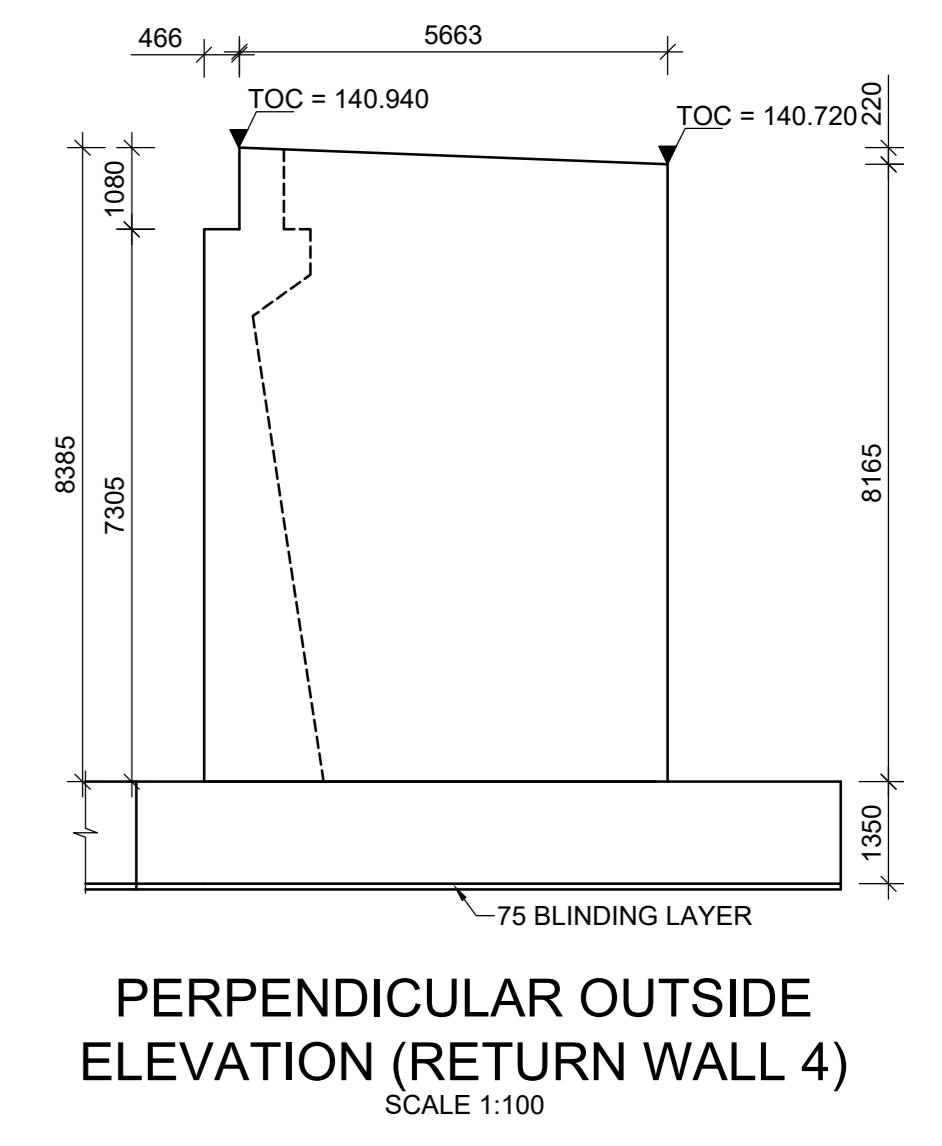
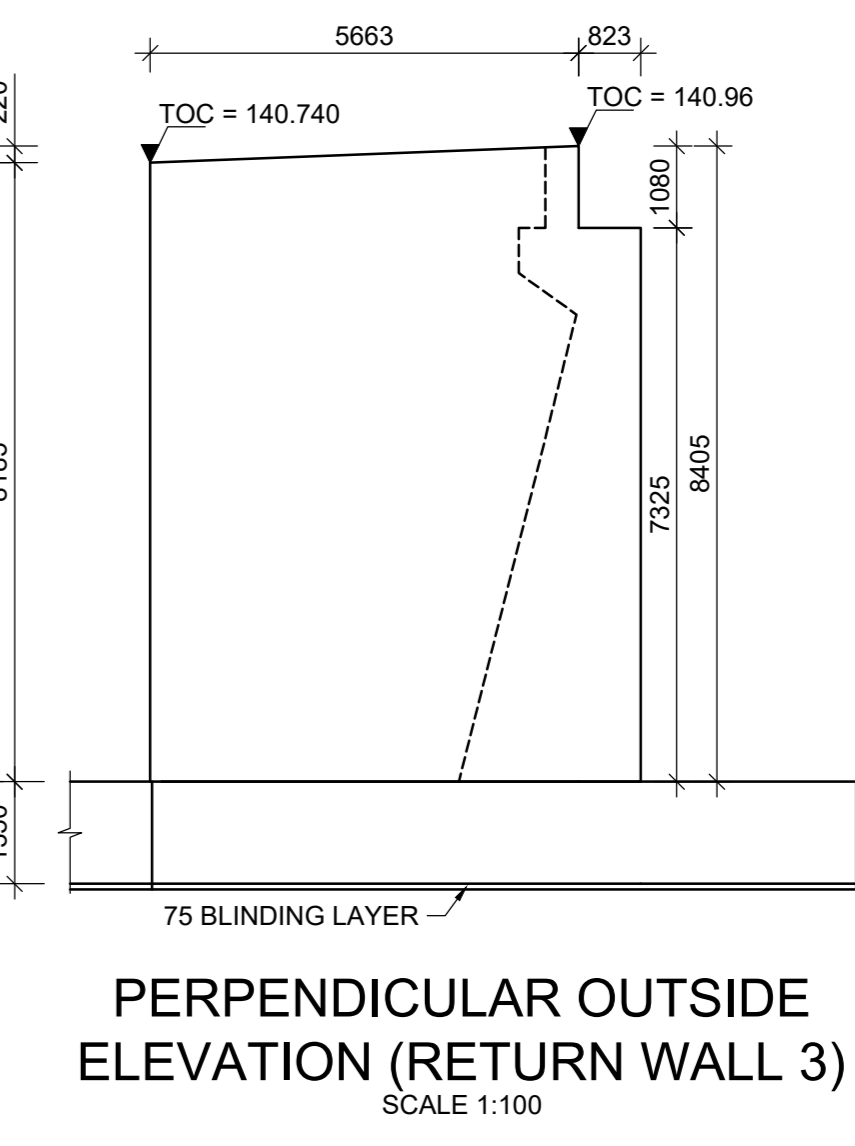
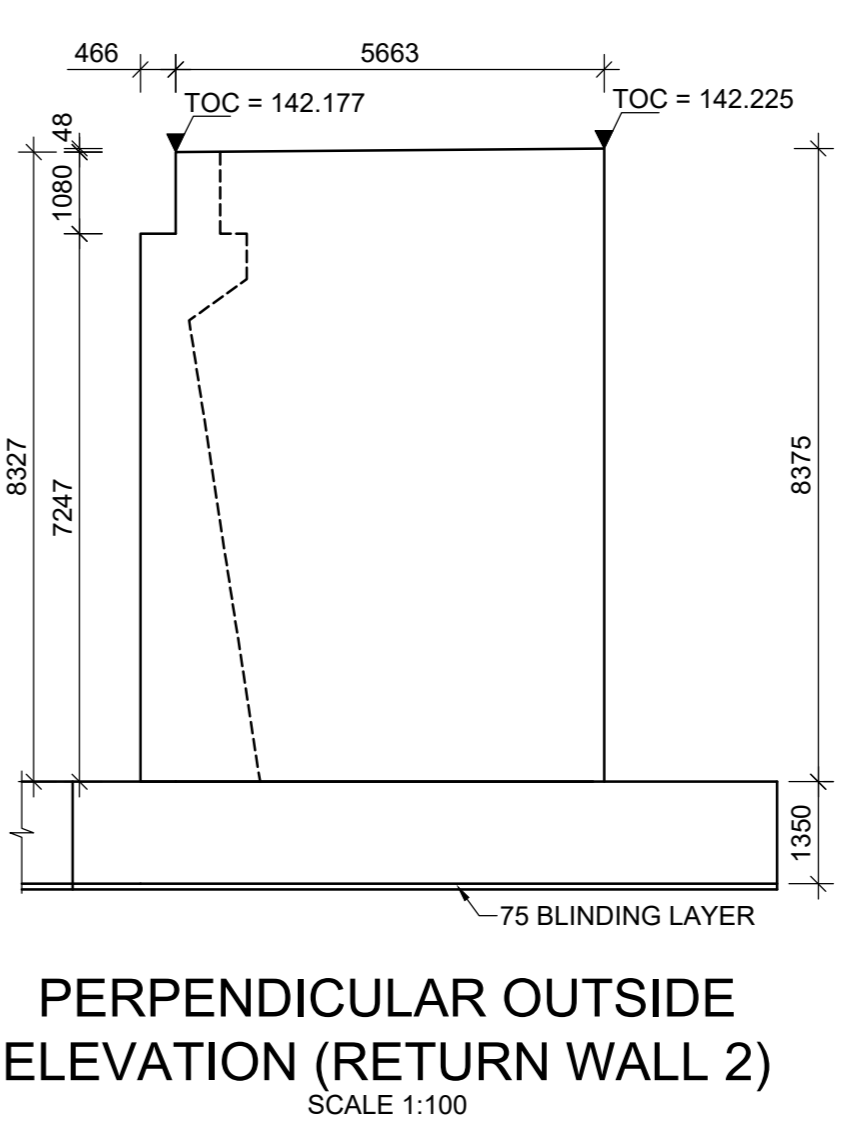
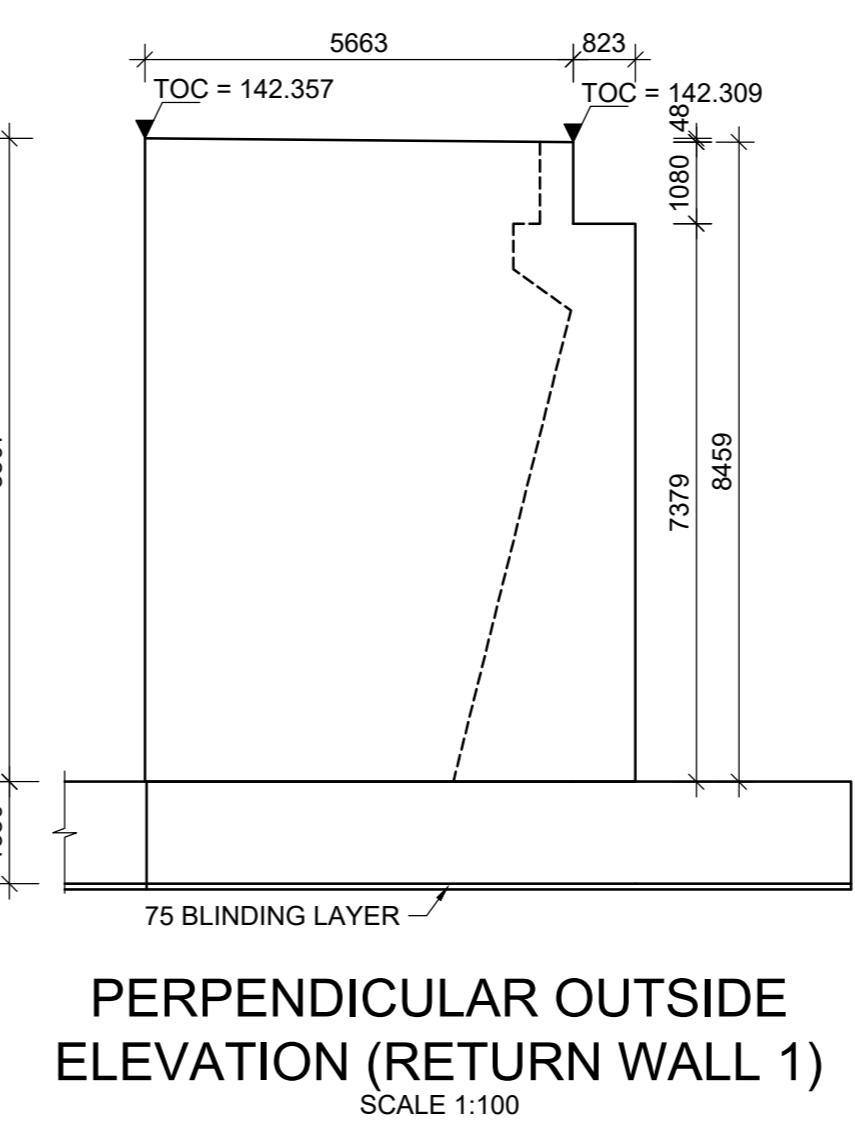
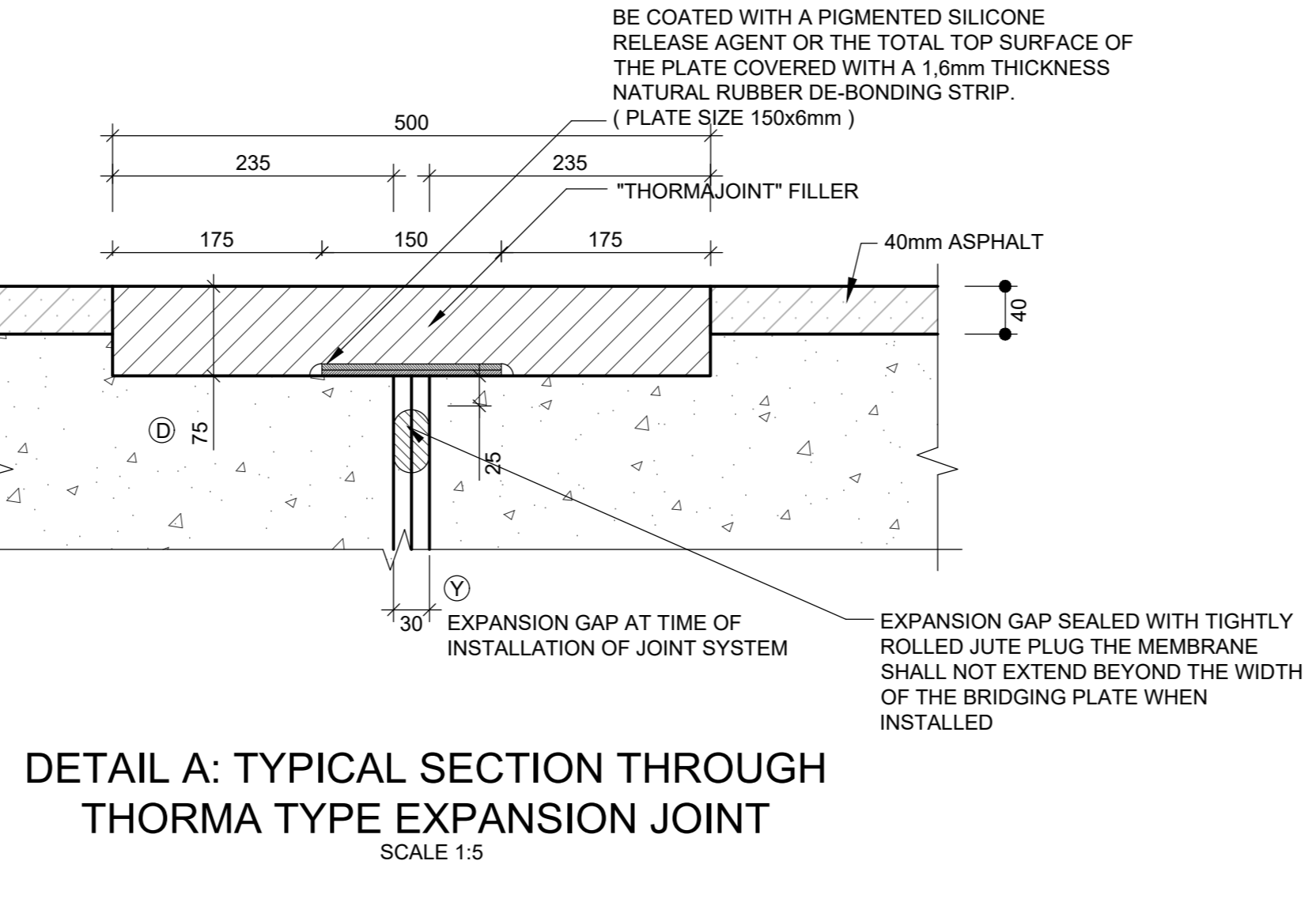
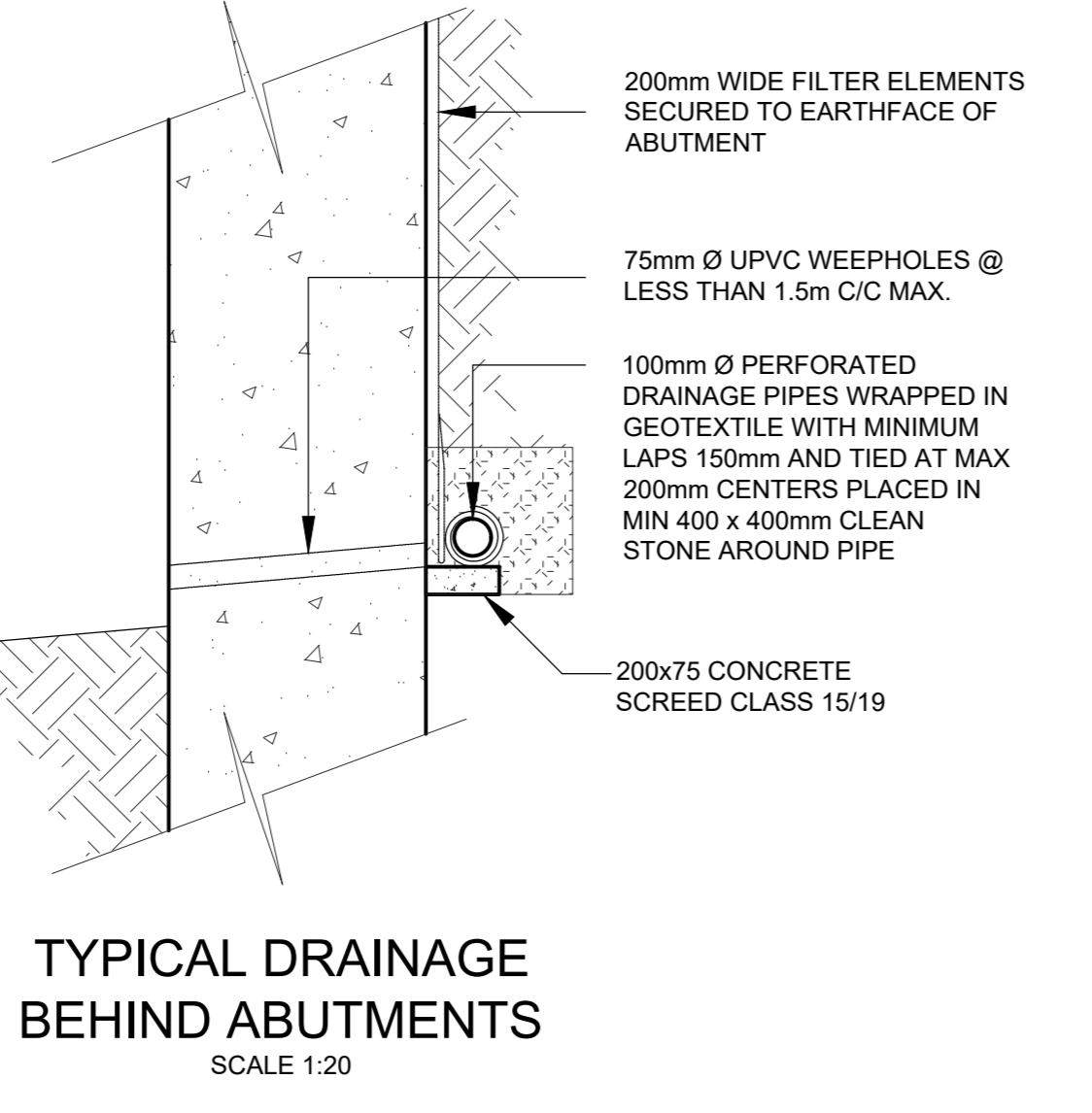
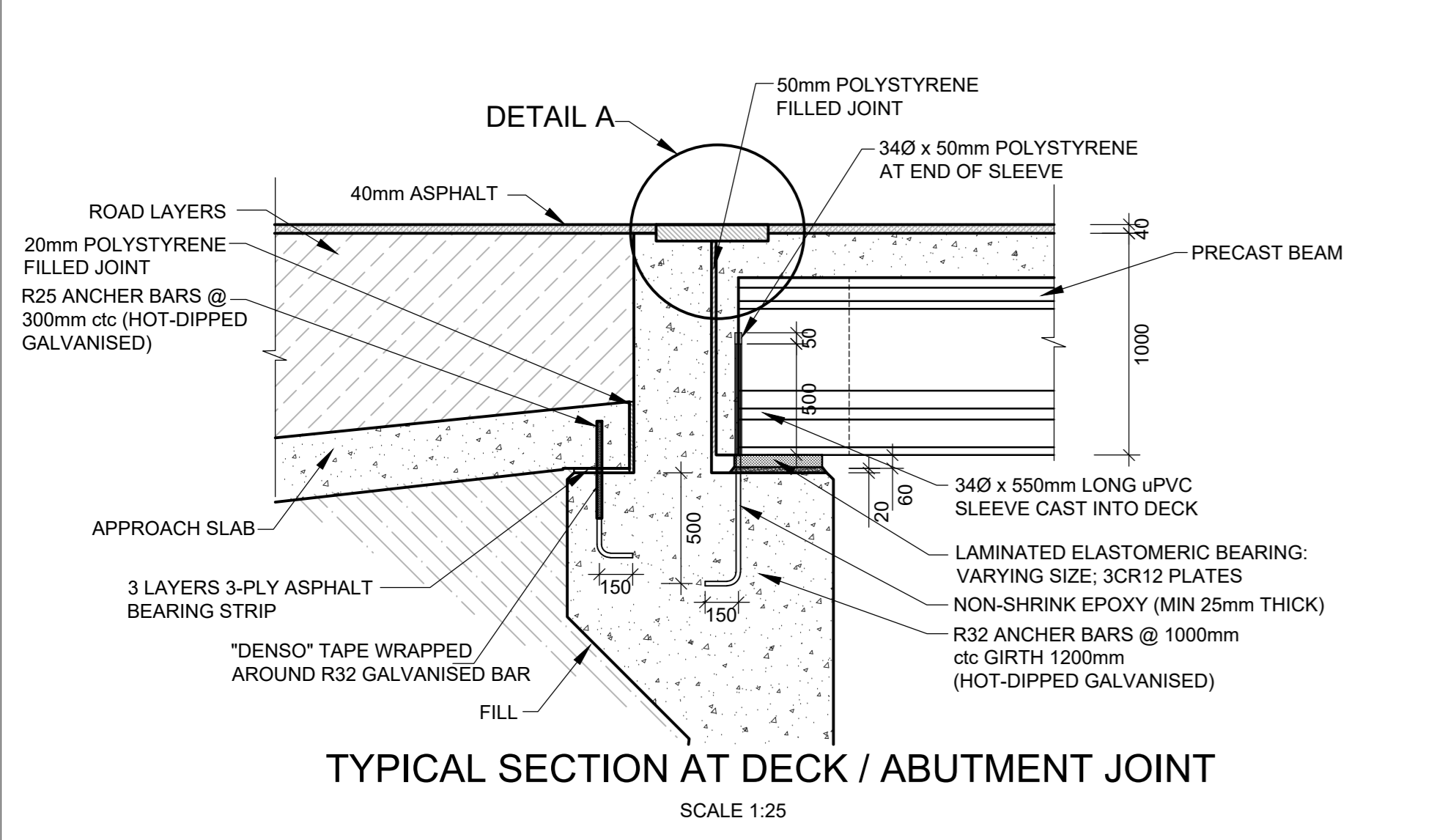
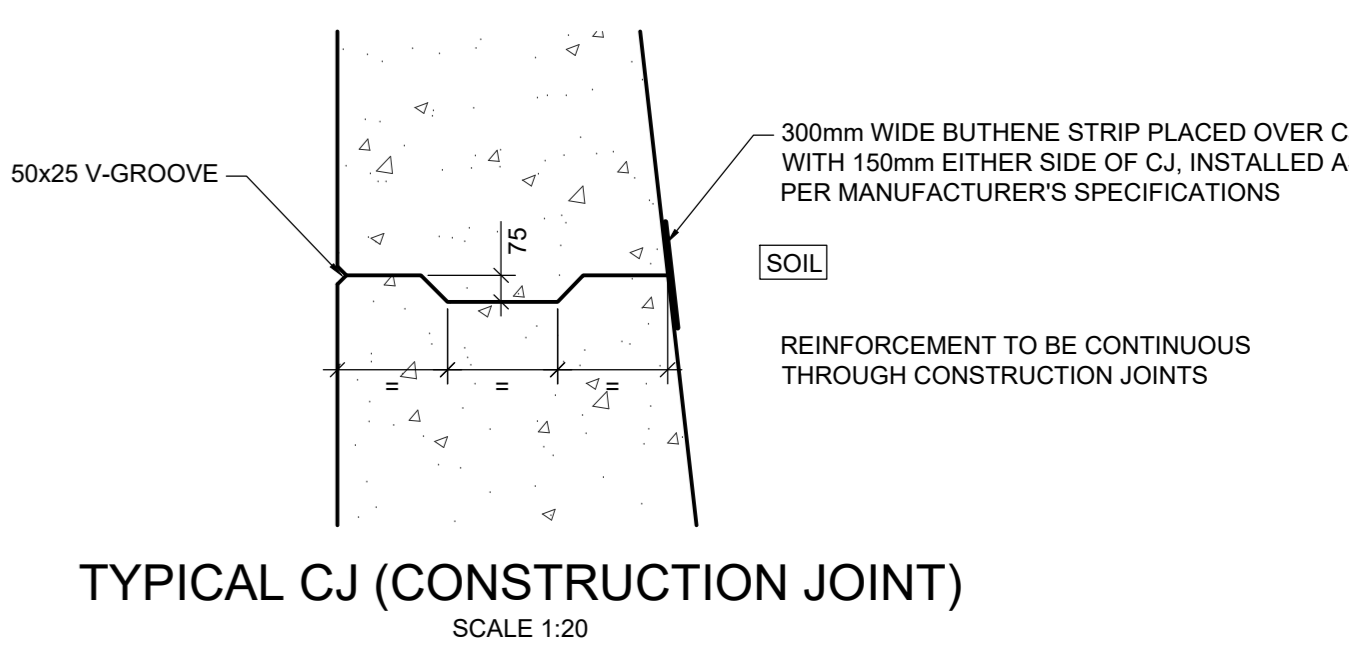
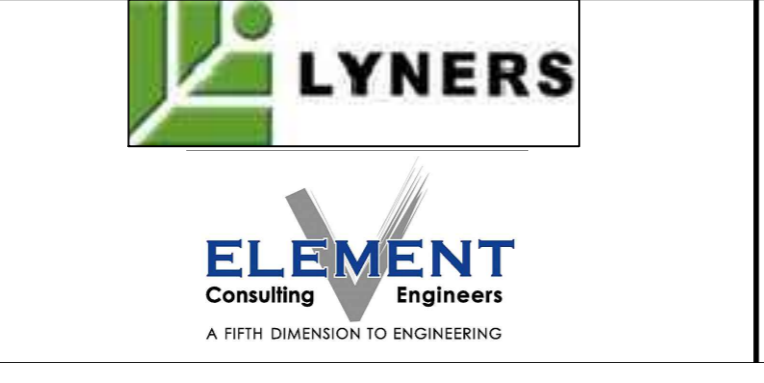


NOTES
1. ALL TOPS OF WALLS AND SEATS TO BE SMOOTH STEEL FLOATED



FOR TENDER
(TENDER APPROVAL ONLY)

NO.	DATE	ADDITIONS AND AMENDMENTS	APPROVED	DESIGNED	CW
			CONS.	BY:	
A	13.02.2018	FOR TENDER APPROVAL	PRE	CHECKED BY:	LDT
				DRAWN BY:	CW
				CHECKED BY:	BZ



CONSULTING ENGINEERS
DATE: _____

WESTERN CAPE GOVERNMENT
DEPARTMENT OF TRANSPORT AND PUBLIC WORKS

APPROVED
THIS APPROVAL IS FOR PROCEDURAL AND ADMINISTRATIVE REVIEW PURPOSES ONLY AND DOES NOT ATTRACT LEGAL LIABILITY OF ANY KIND FROM WHATSOEVER OR HOWEVER ARISING
PROVINCIAL ROADS ENGINEER
DATE: _____

PROPOSED ROAD OVER RAIL BRIDGE No. 6048 ON DR 1103 OVER KLAPMUTS-PAARL RAIL NEAR SIMONSVLEI
ABUTMENT(S) CONCRETE LAYOUT & DETAILS

P.R.E.'S FILE NO.	SCALE
970123	AS SHOWN
CONTRACT NO.	WCG STRUCTURE PLAN
TPW 16/6/1/14-C0850.01	
CONSULTANTS DWG NO.	WCG INDEX NO.
150049/S/005	A93/18