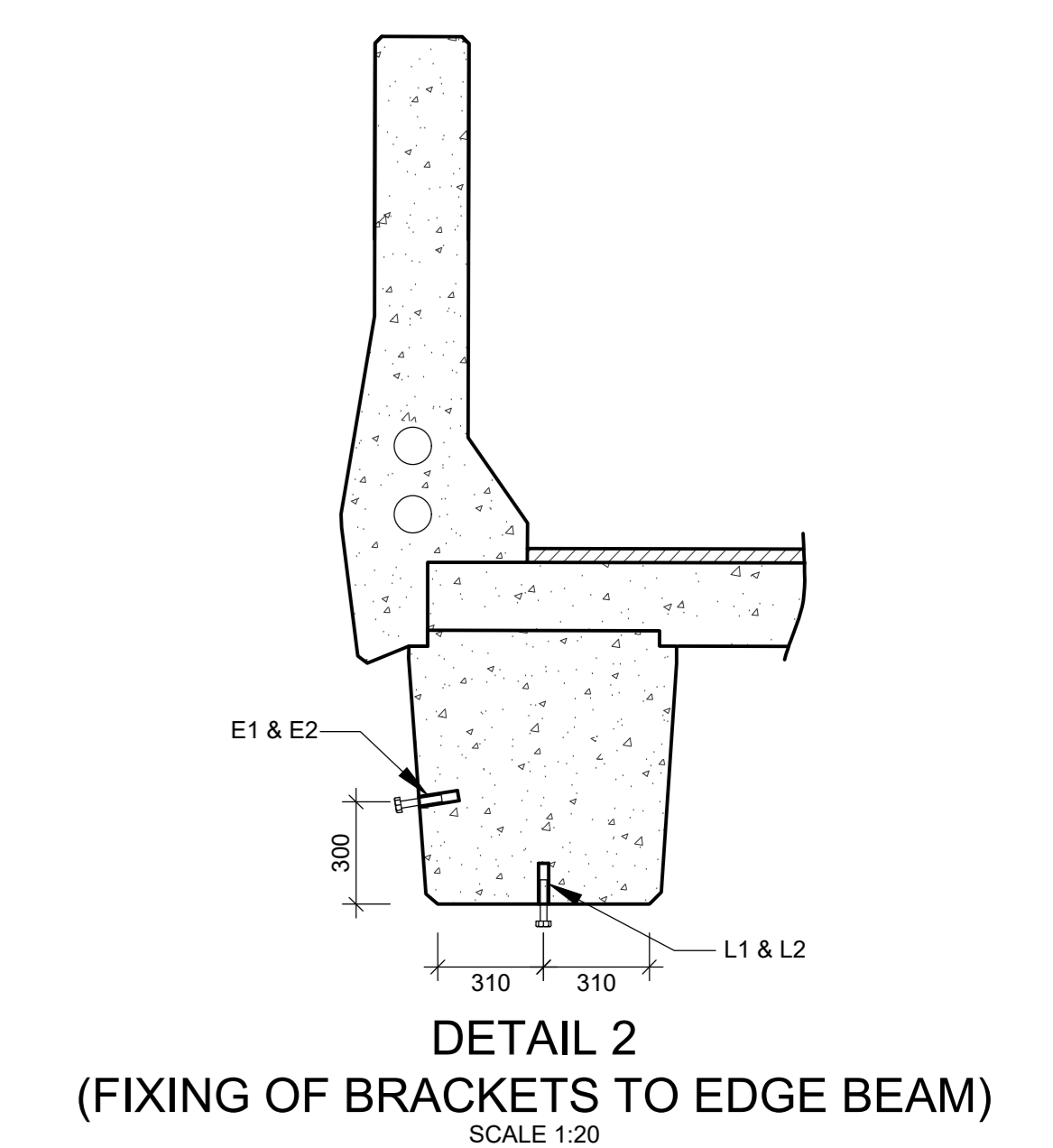
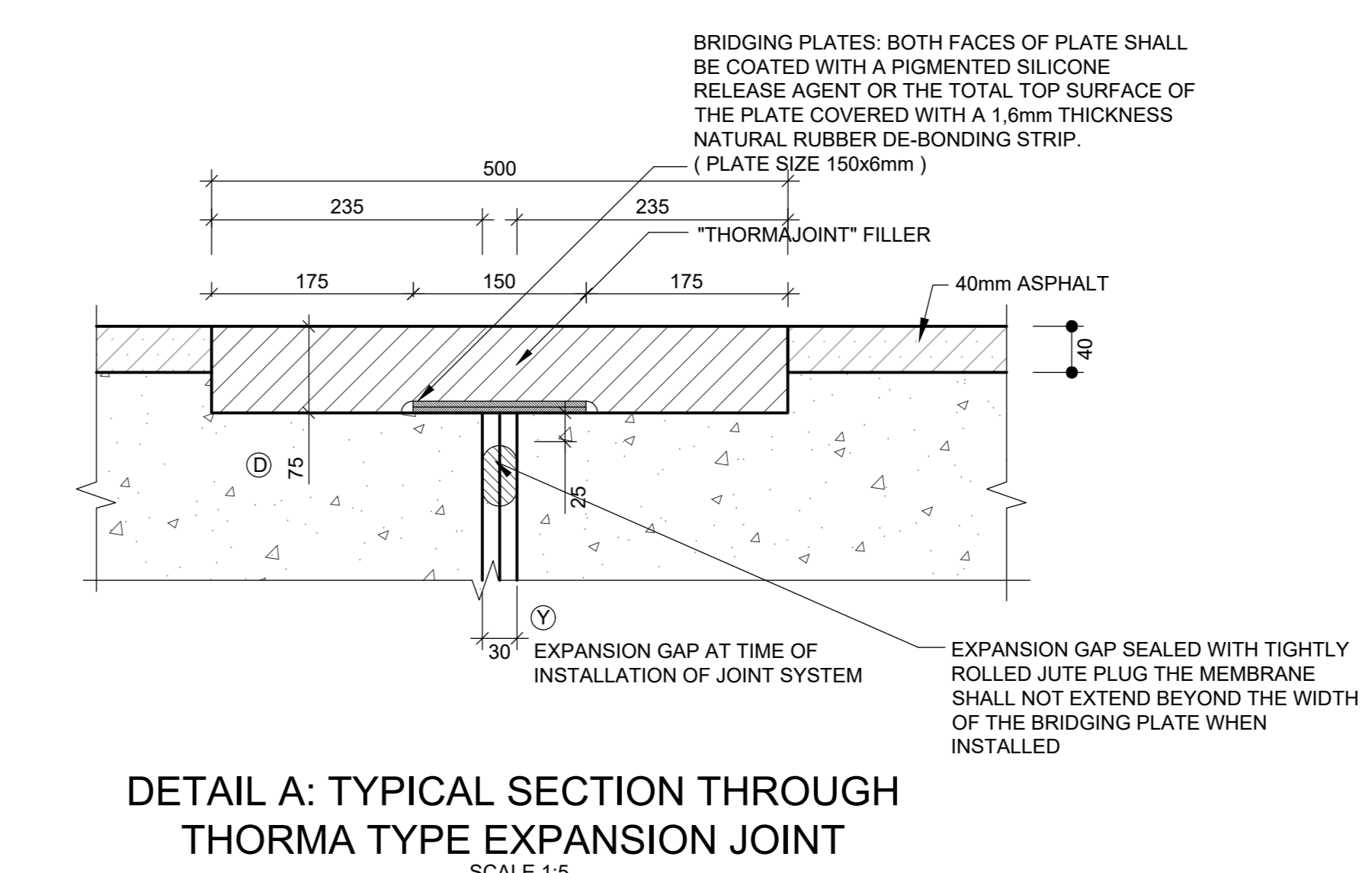
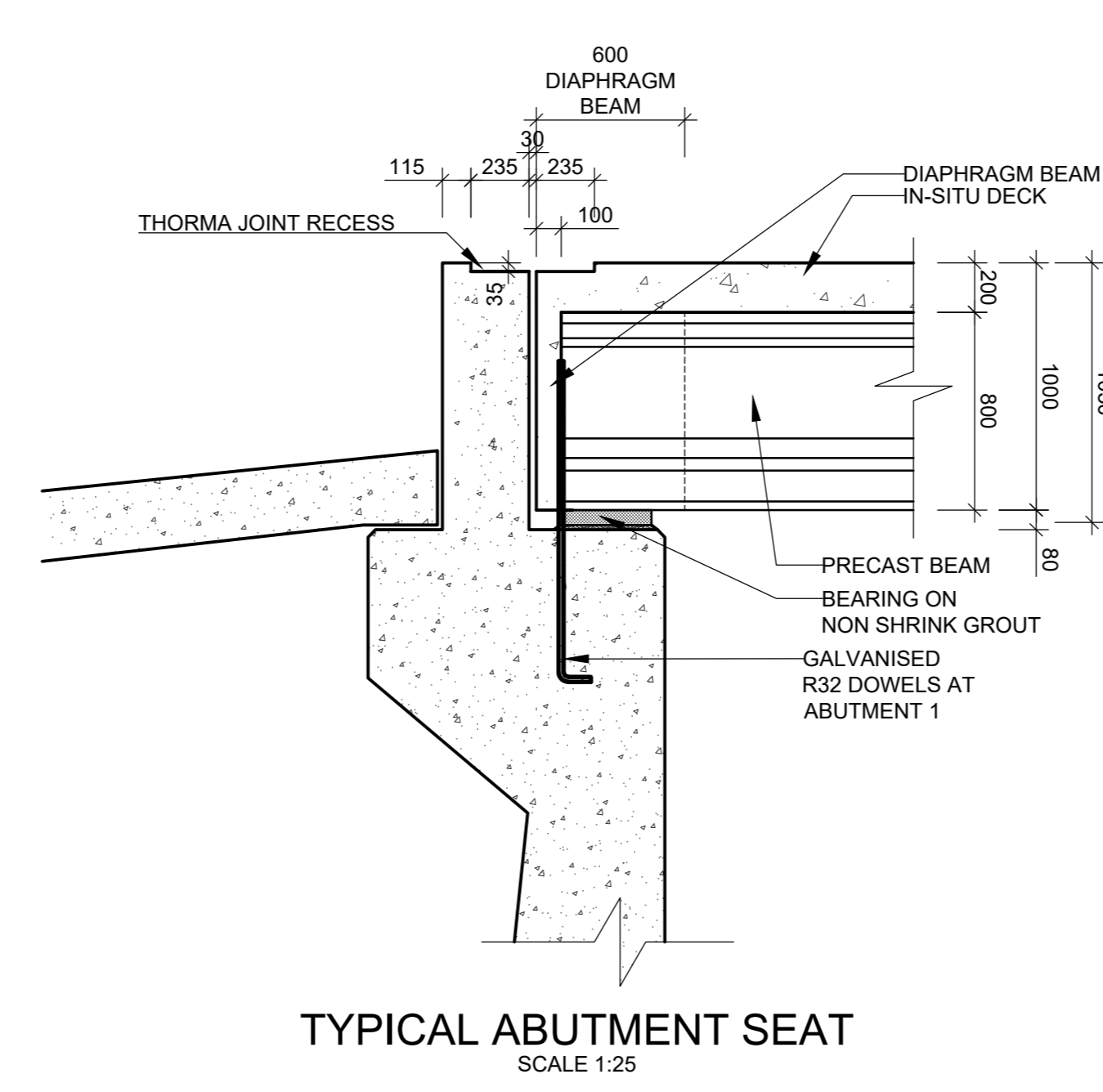
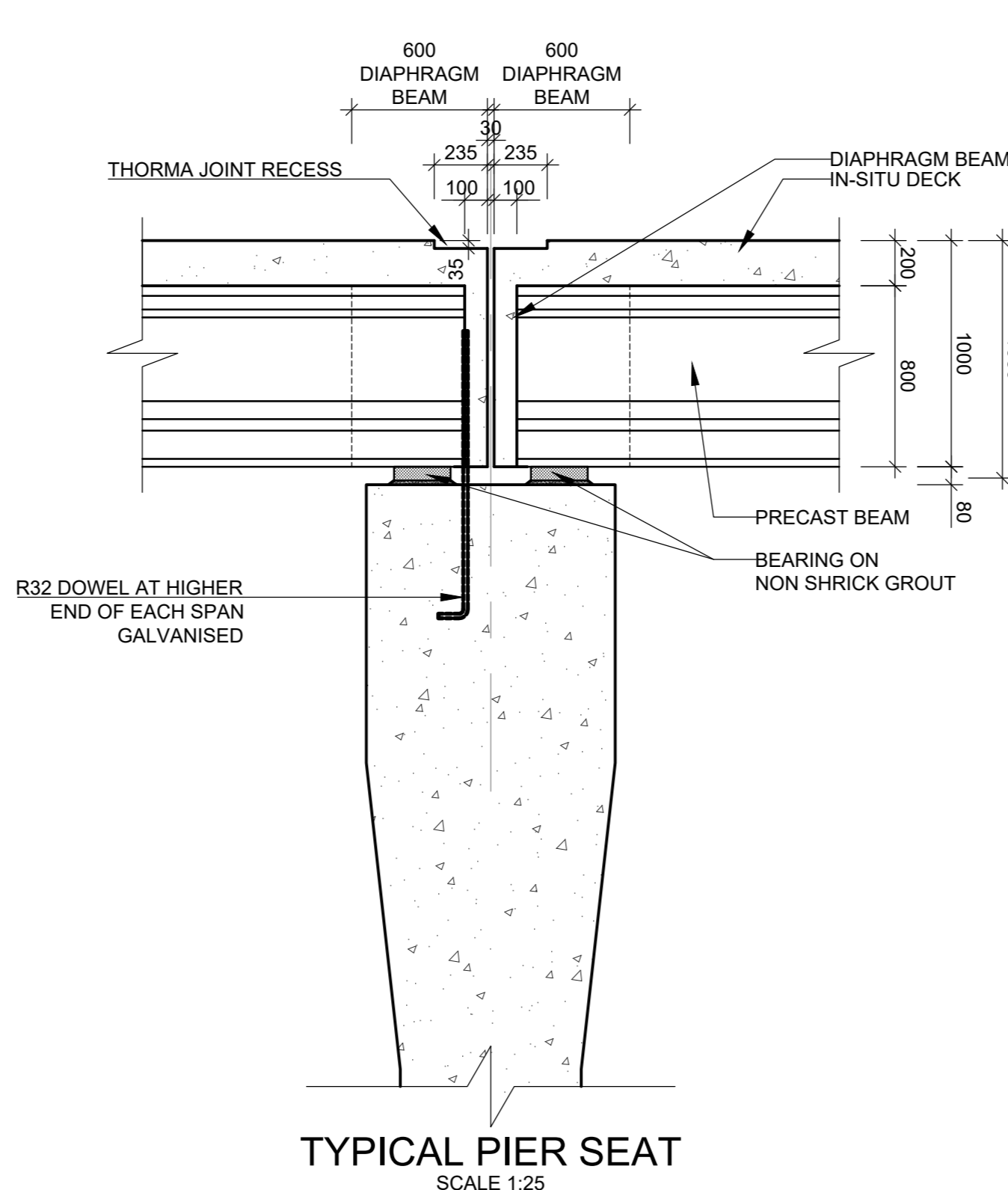
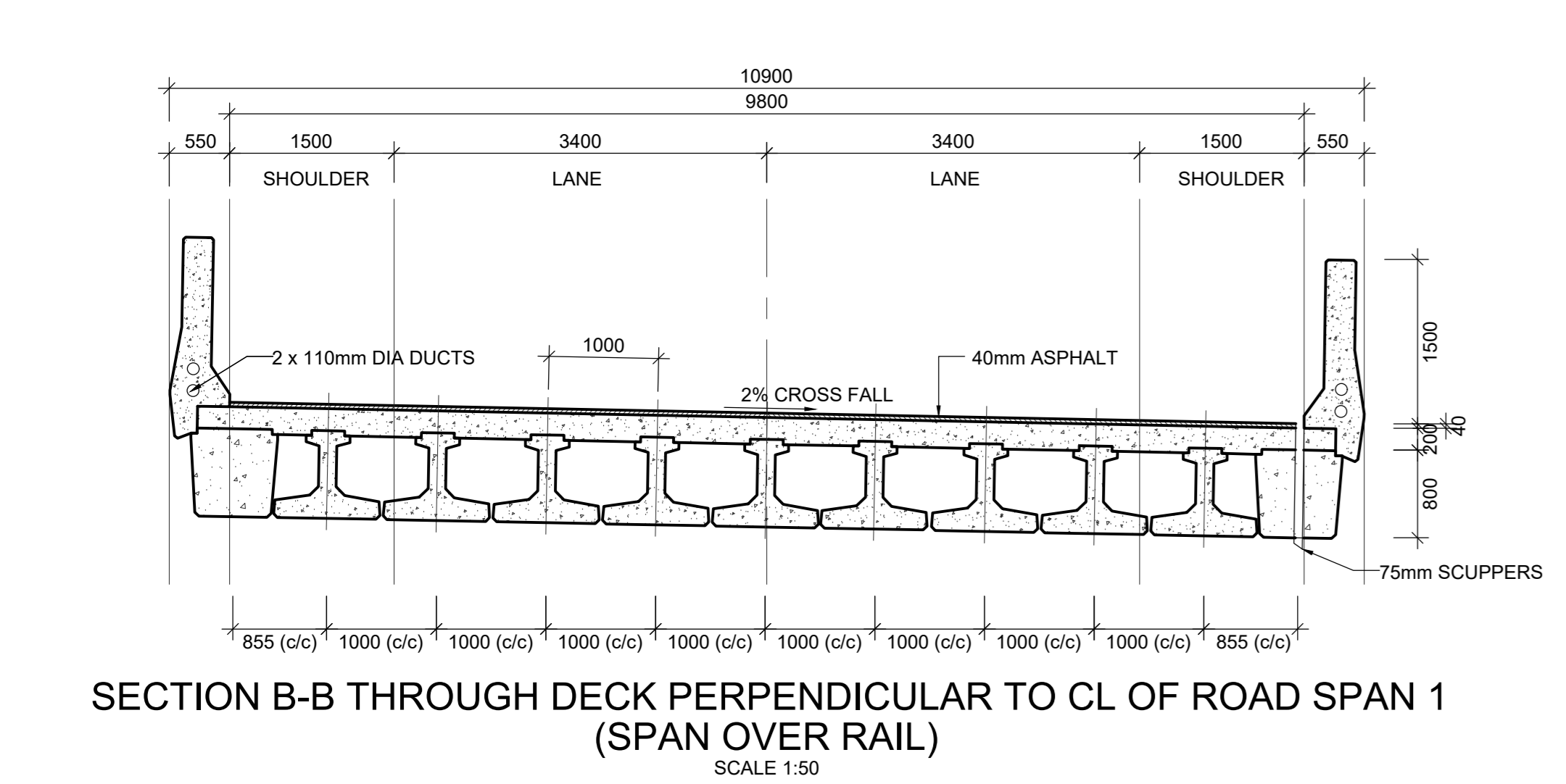
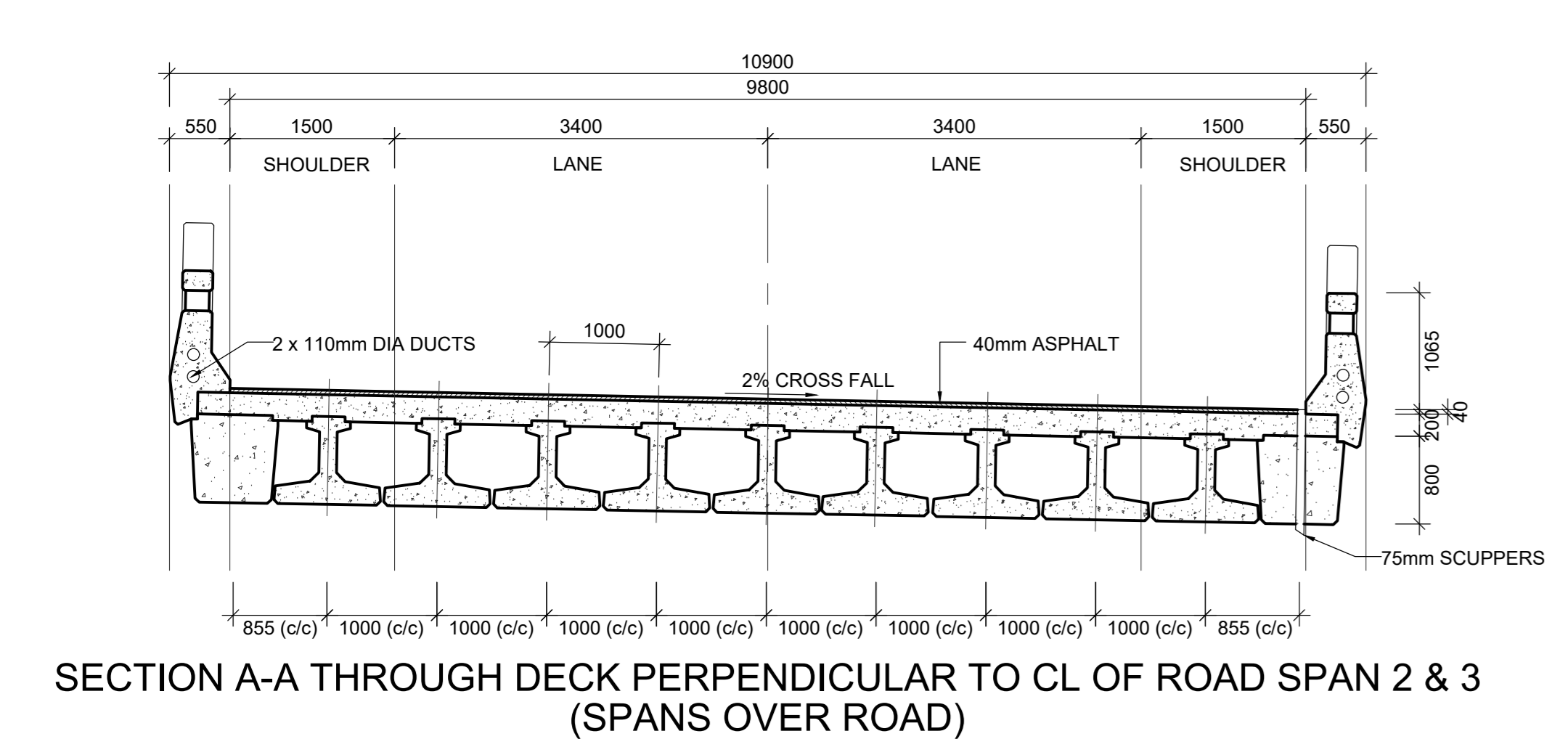
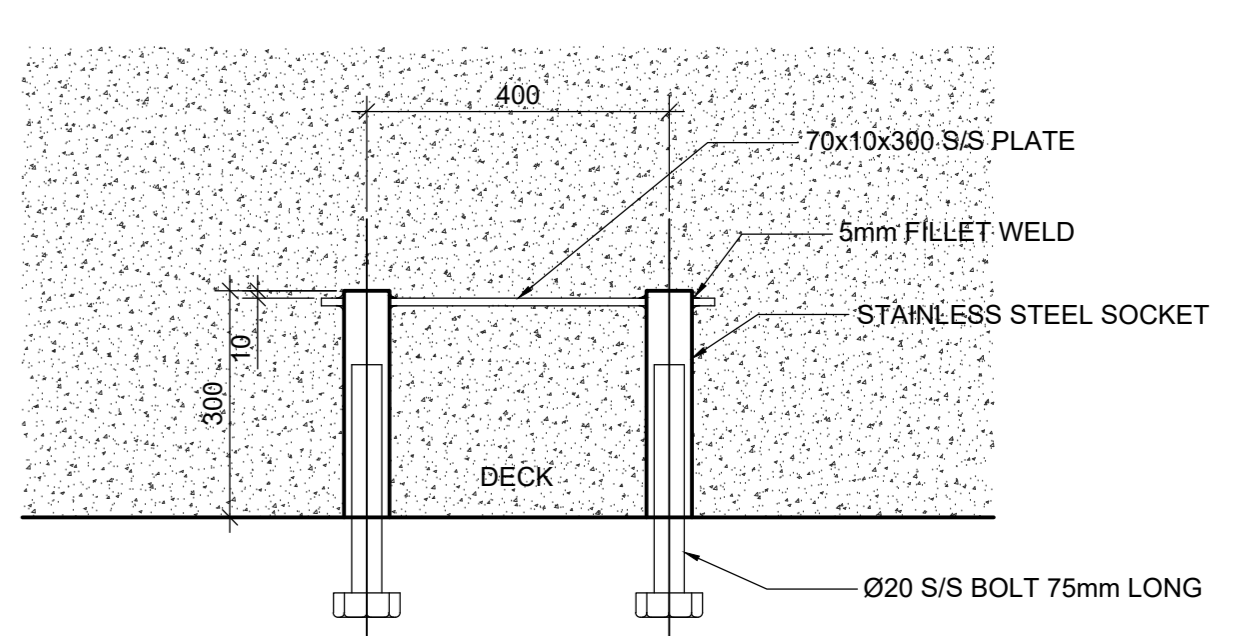
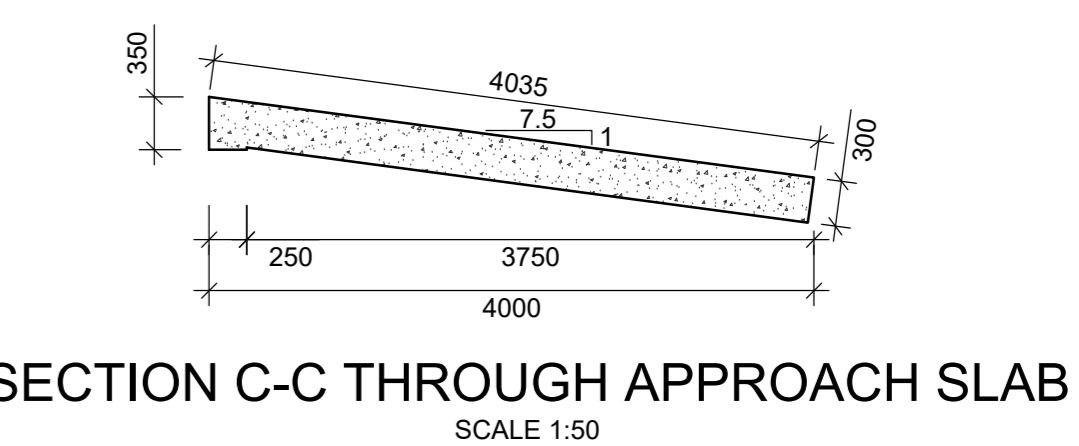
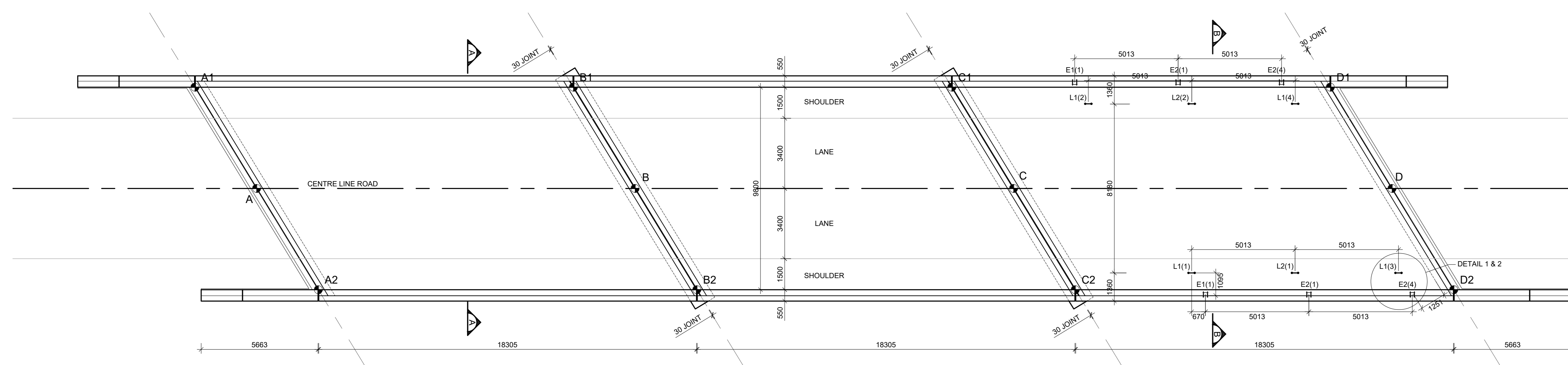


NOTES

- SYMBOLS:
L1 - END LIVE WIRE BOLT GROUP
L2 - INTERMEDIATE LIVE WIRE BOLT GROUP
E1 - END EARTH WIRE BOLT GROUP
E2 - INTERMEDIATE EARTH WIRE BOLT GROUP
- STAINLESS STEEL (S/S) FOR BOLTS TO BE BS 970 GRADE 304 OR ANSI 304.

TABLE OF COORDINATES AND LEVELS

POINT	X - COORDINATE	Y - COORDINATE	TOP OF CONCRETE	TOP OF ASPHALT
END OF BRIDGE	-3740501.725	-5913.596	140.777	140.817
POINT A	-3740506.179	-5915.051	140.959	140.999
POINT A1	-3740504.858	-5909.465	140.941	140.981
POINT A2	-3740507.500	-5920.638	140.960	141.000
POINT B	-3740523.812	-5920.748	141.563	141.603
POINT B1	-3740522.291	-5915.161	141.563	141.603
POINT B2	-3740524.933	-5926.334	141.535	141.575
POINT C	-3740541.045	-5926.444	141.995	142.035
POINT C1	-3740539.724	-5920.857	142.022	142.062
POINT C2	-3740542.366	-5932.031	141.939	141.979
POINT D	-3740558.478	-5932.140	142.254	142.294
POINT D1	-3740557.157	-5926.554	142.310	142.350
POINT D2	-3740559.799	-5937.727	142.181	142.221
START OF BRIDGE	-3740562.932	-5933.596	142.293	142.333
RAIL 1 CROSSING CL	-3740549.250	-5929.135		
RAIL 2 CROSSING CL	-3740554.026	-5930.697		



FOR TENDER
(TENDER APPROVAL ONLY)

1 cm = 10 m for A0 size

NO.	DATE	ADDITIONS AND AMENDMENTS	APPROVED		DESIGNED BY:	CW
			CONS.	PRE		
A	13.02.2018	FOR TENDER APPROVAL			CHECKED BY: LDT	
					DRAWN BY: CW	
					CHECKED BY: BZ	

LYNERS
ELEM
Consulting Engineers
A 19th DIVISION 10 ENGINEERING

WESTERN CAPE GOVERNMENT
DEPARTMENT OF TRANSPORT AND PUBLIC WORKS

APPROVED
THIS APPROVAL IS FOR PROCEDURAL AND ADMINISTRATIVE REVIEW PURPOSES ONLY AND DOES NOT ATTRACT LEGAL LIABILITY OF ANY KIND FROM WHATSOEVER OR HOWEVER ARISING

PROVINCIAL ROADS ENGINEER
DATE: _____

PROPOSED ROAD OVER RAIL BRIDGE No. 6048 ON DR 1103 OVER KLAPMUTS-PAARL RAIL NEAR SIMONSVLEI

DECK(S) CONCRETE LAYOUT & DETAILS

P.R.E.'S FILE NO. 970123	SCALE AS SHOWN
CONTRACT NO. TPW 16/6/4/14-C0850.01	WCG STRUCTURE PLAN
CONSULTANTS DWG NO. 150049/S/007	WCG INDEX NO. A93/20