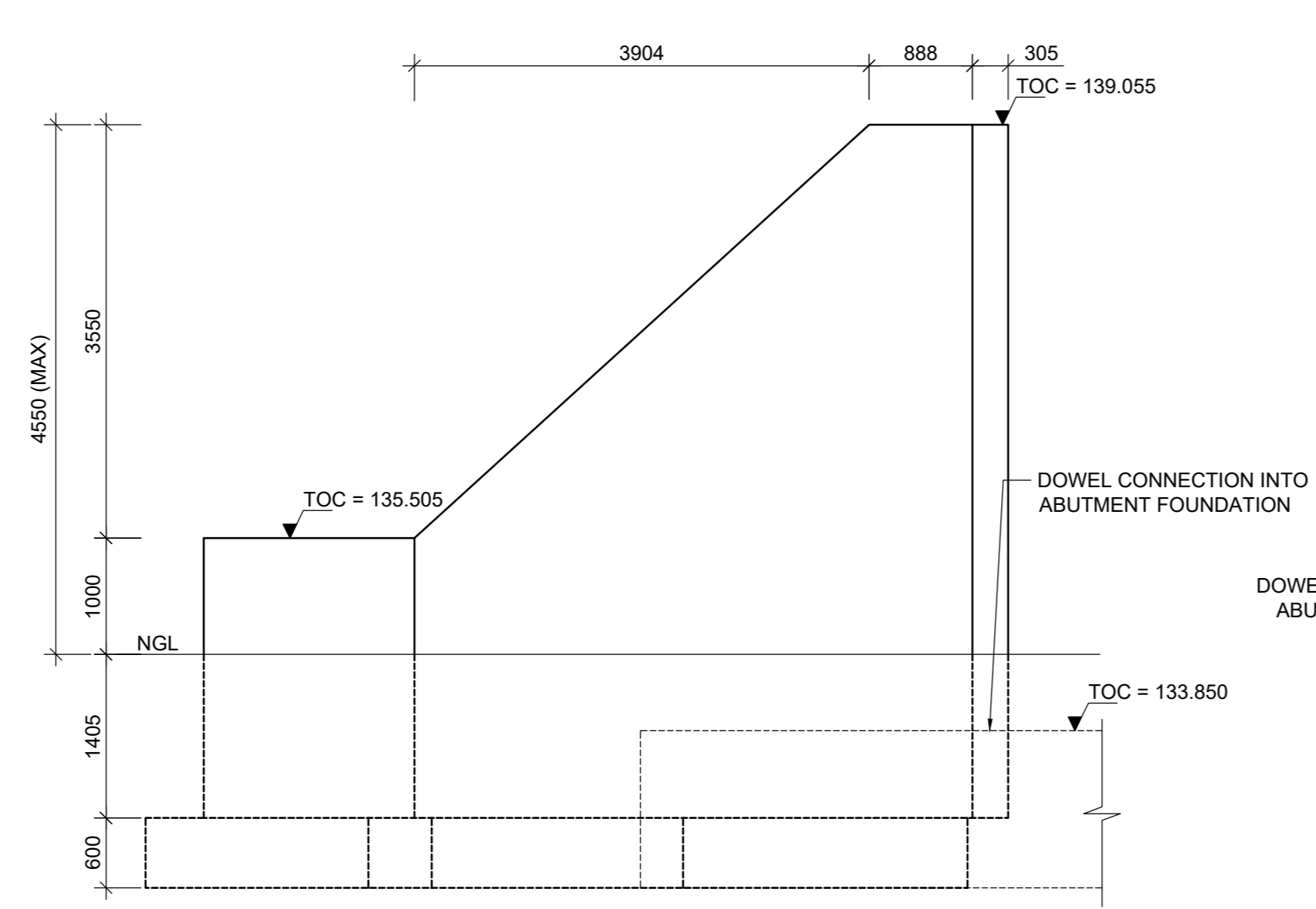
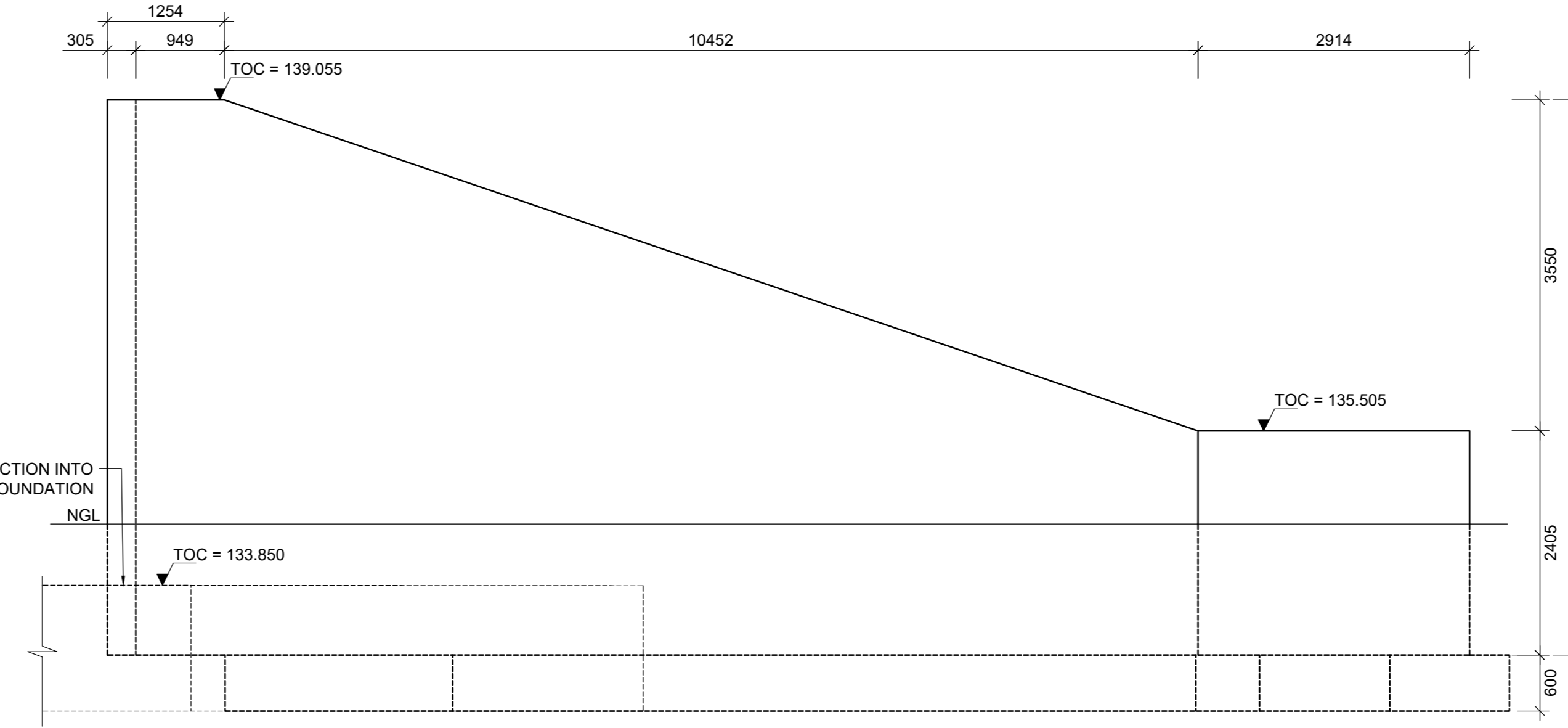


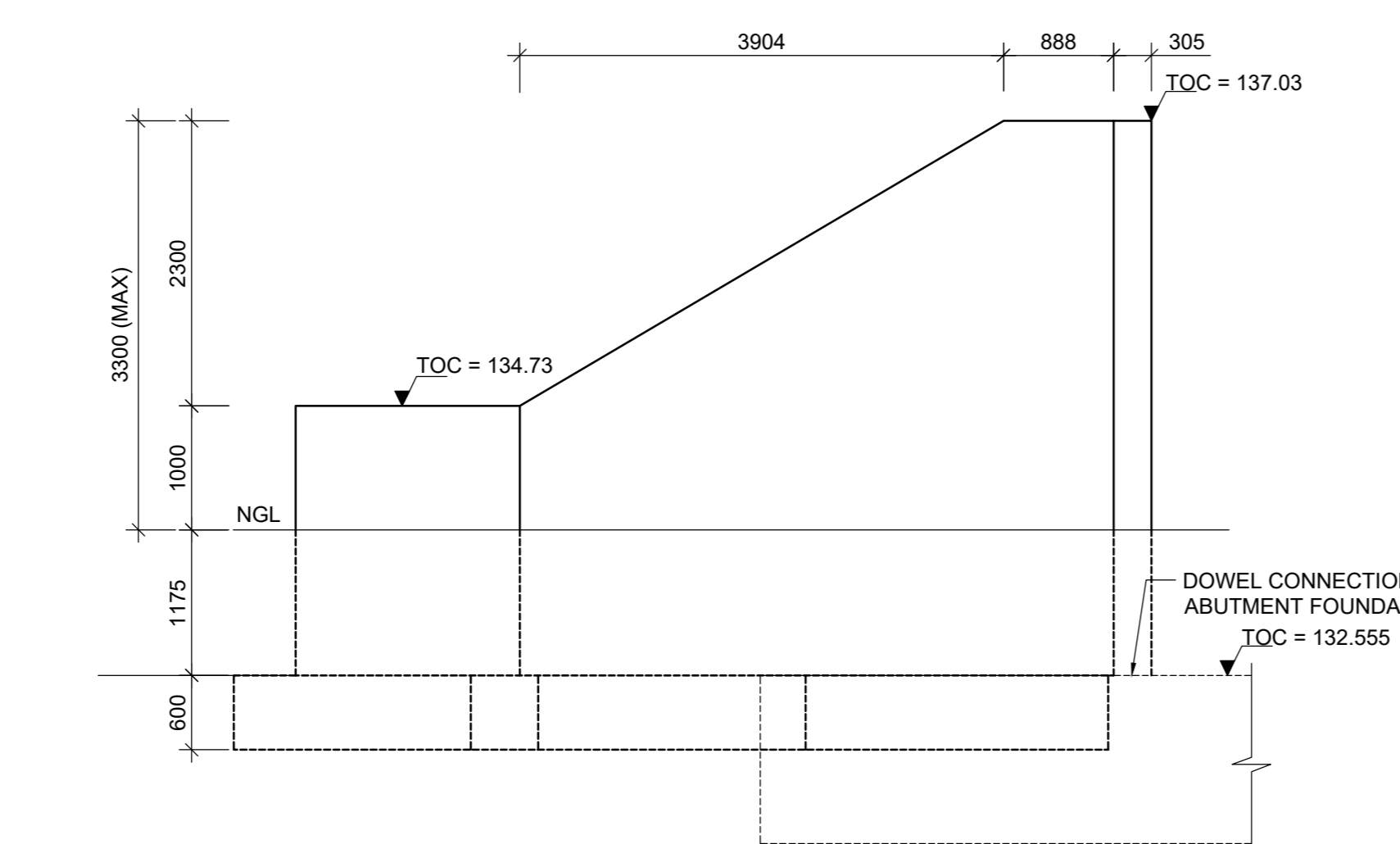
PLAN OF RETAINING WALL 1 (ABUTMENT 1)
SCALE 1:50



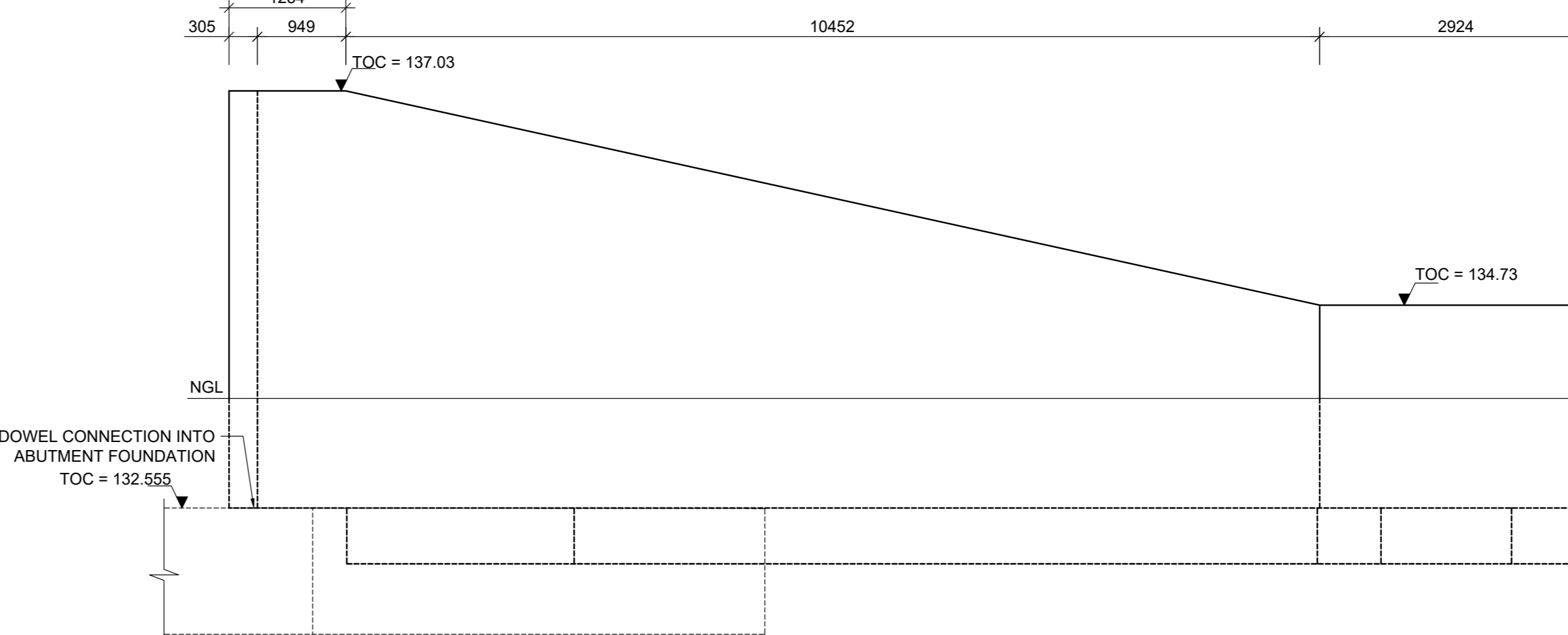
FRONT ELEVATION (RETAINING WALL 1)
SCALE 1:50



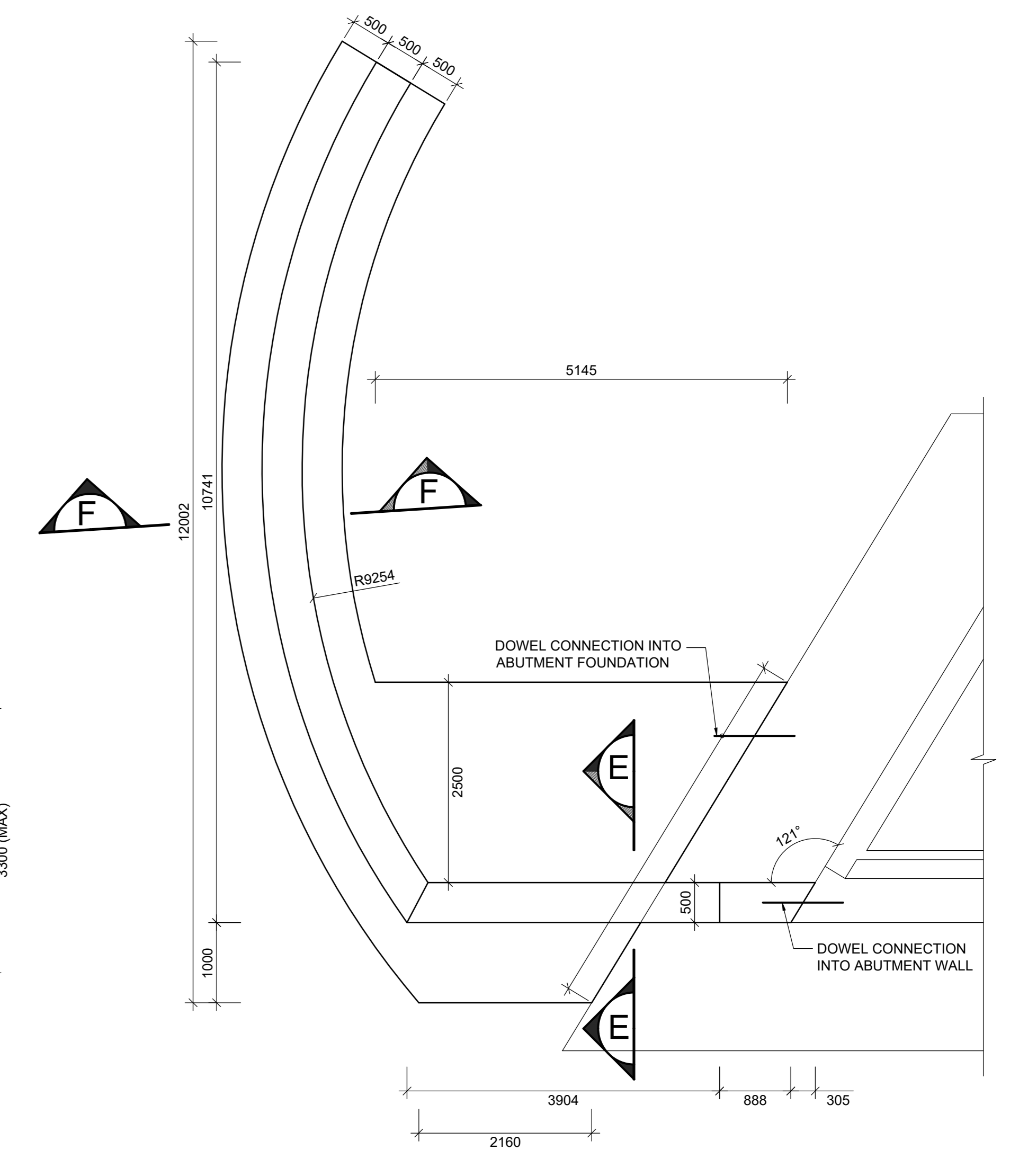
FRONT ELEVATION (RETAINING WALL 2)
SCALE 1:50



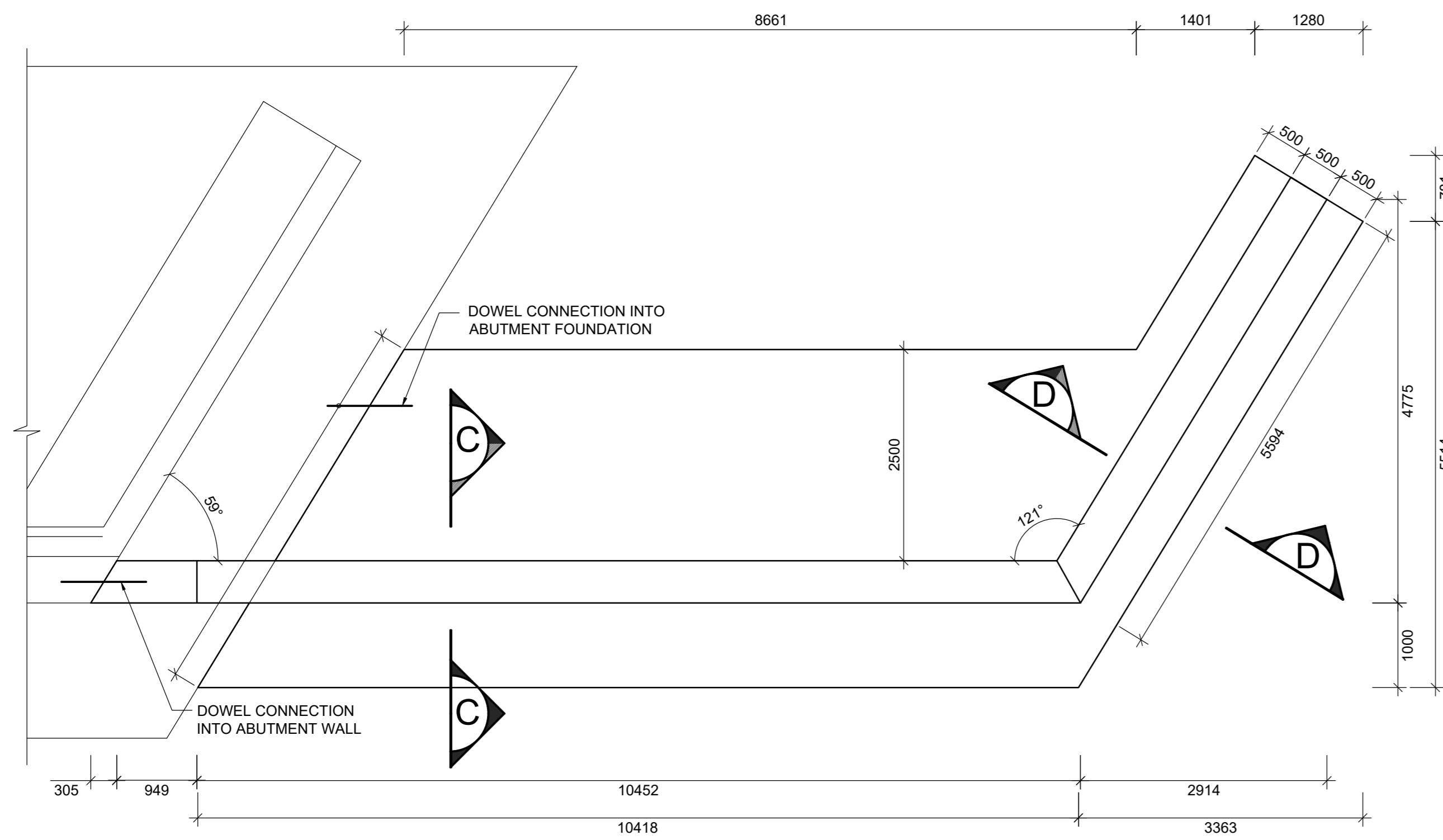
FRONT ELEVATION (RETAINING WALL 3)
SCALE 1:50



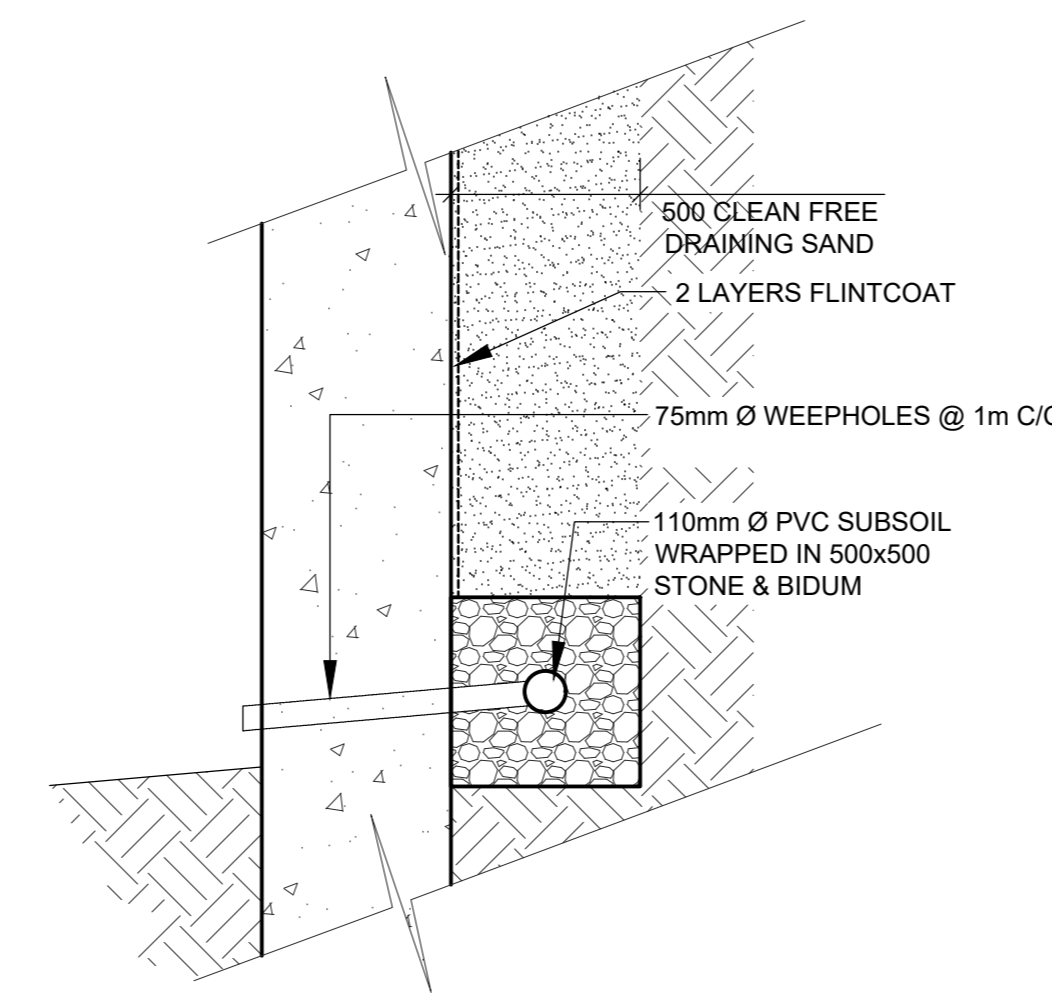
FRONT ELEVATION (RETAINING WALL 4)
SCALE 1:50



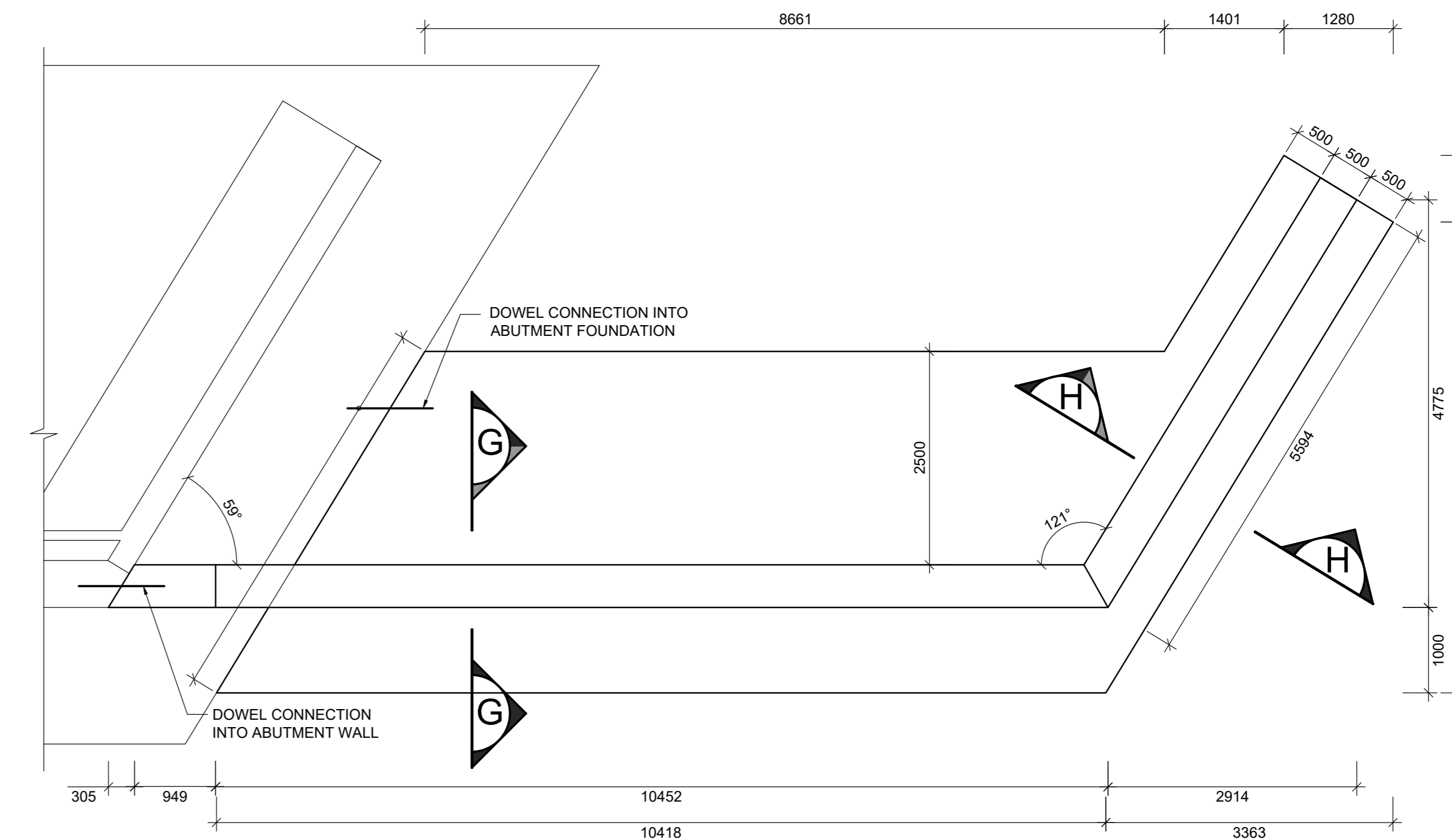
PLAN OF RETAINING WALL 3 (ABUTMENT 2)
SCALE 1:50



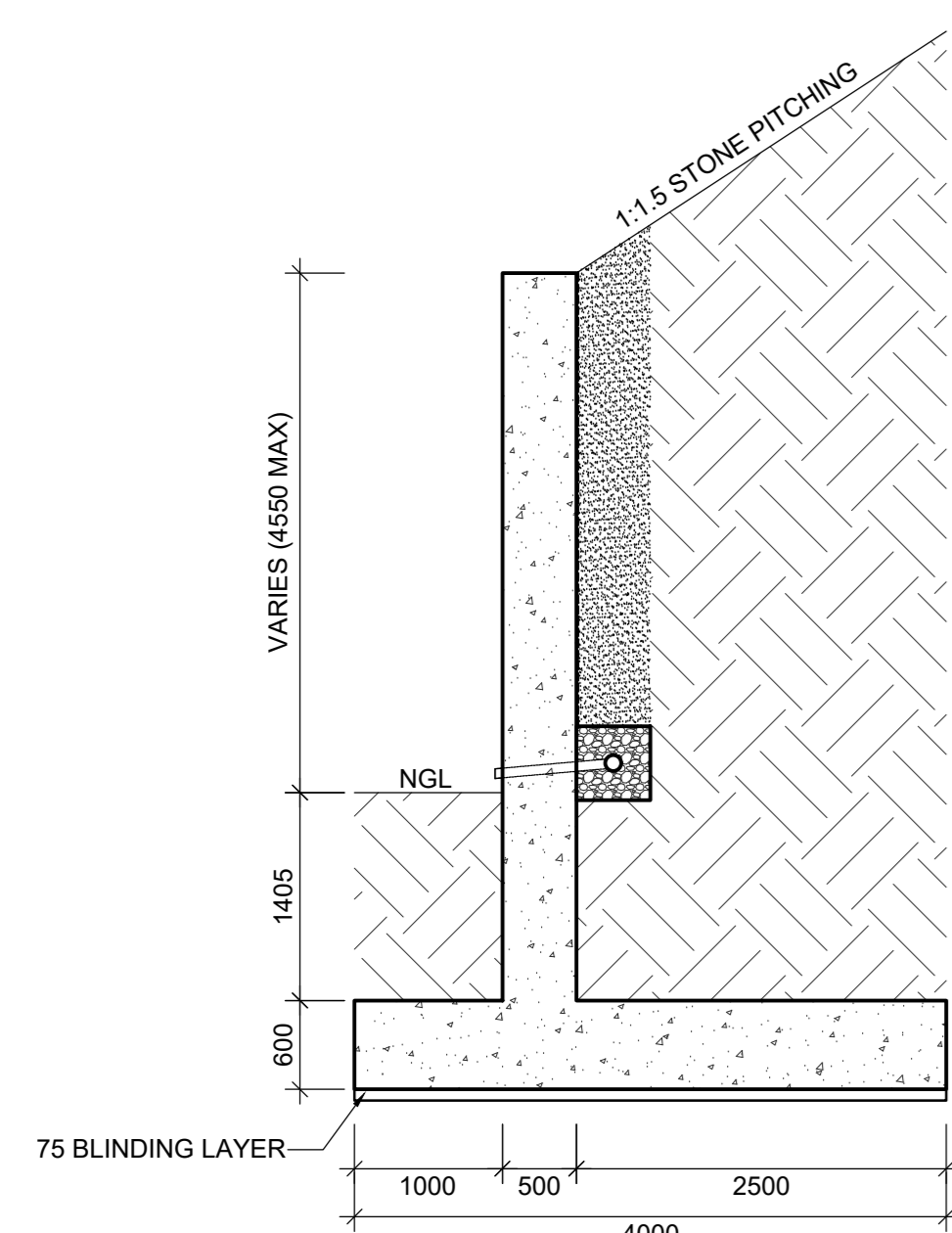
PLAN OF RETAINING WALL 2 (ABUTMENT 1)
SCALE 1:50



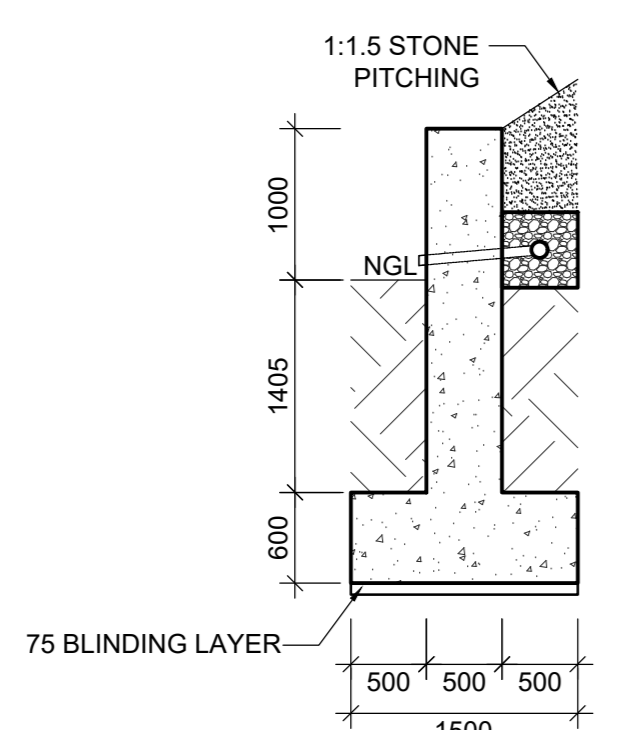
TYPICAL DRAINAGE
BEHIND RETAINING WALLS
SCALE 1:20



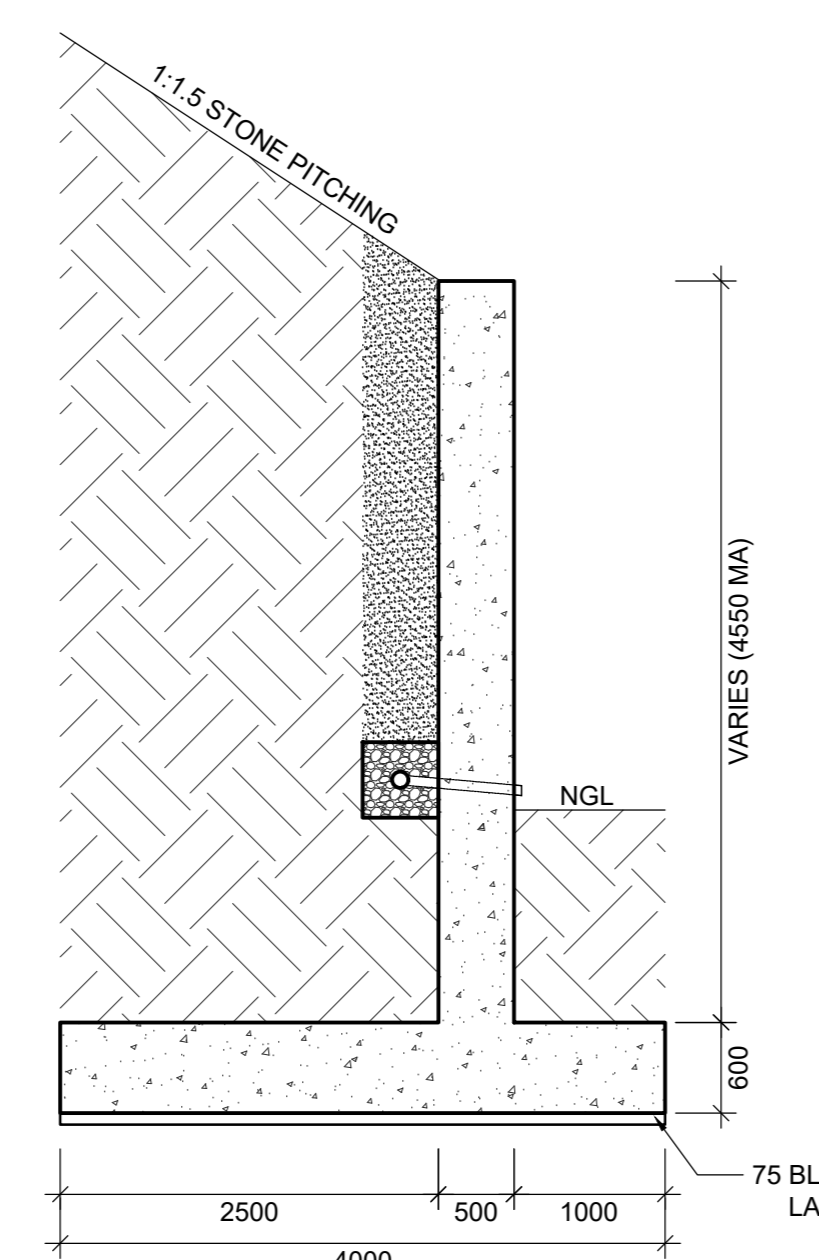
PLAN OF RETAINING WALL 4 (ABUTMENT 2)
SCALE 1:50



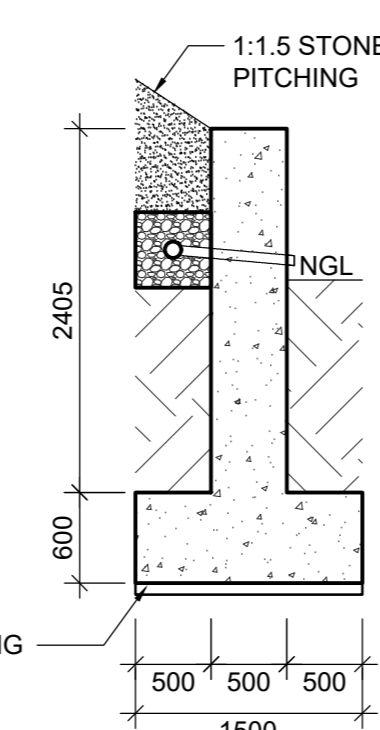
SECTION A-A
SCALE 1:50



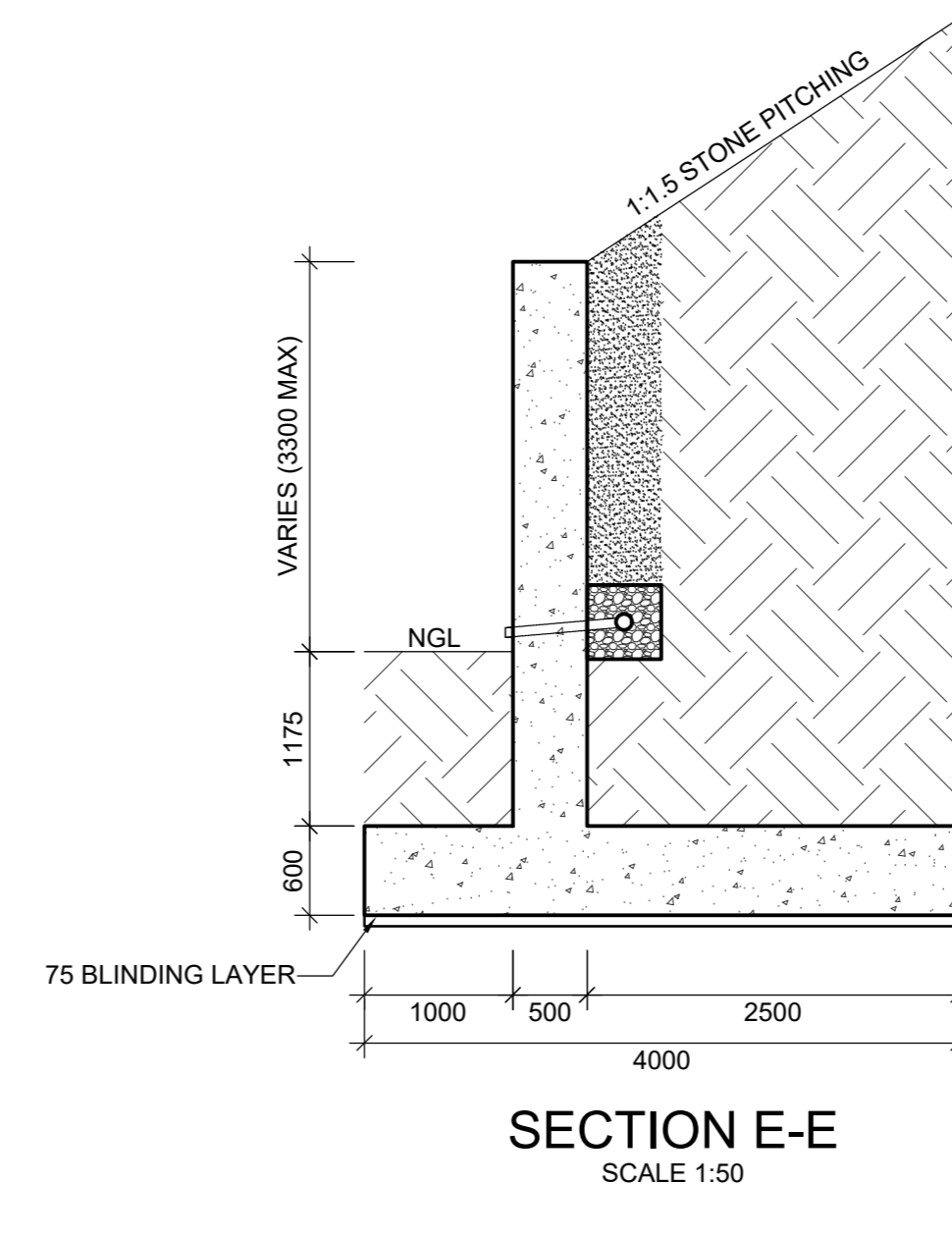
SECTION B-B
SCALE 1:50



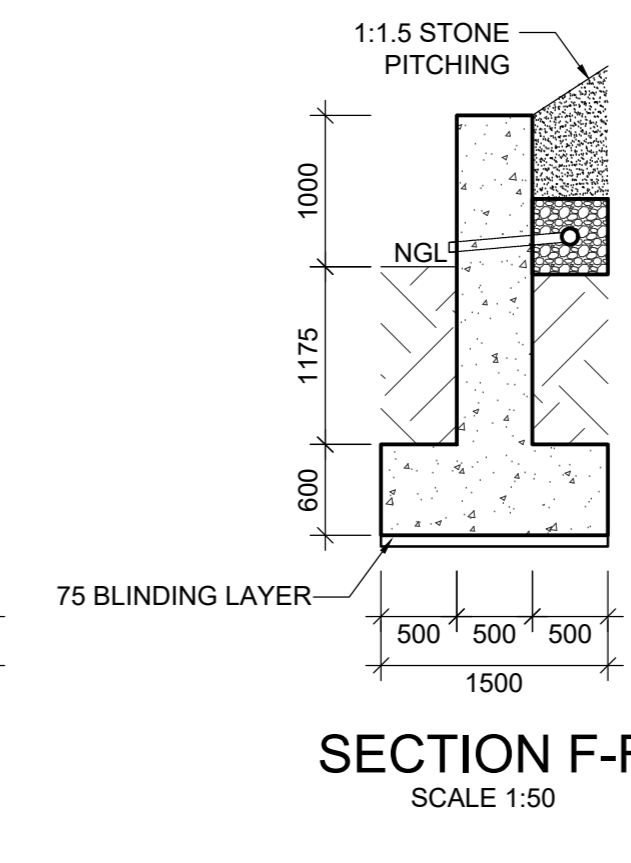
SECTION C-C
SCALE 1:50



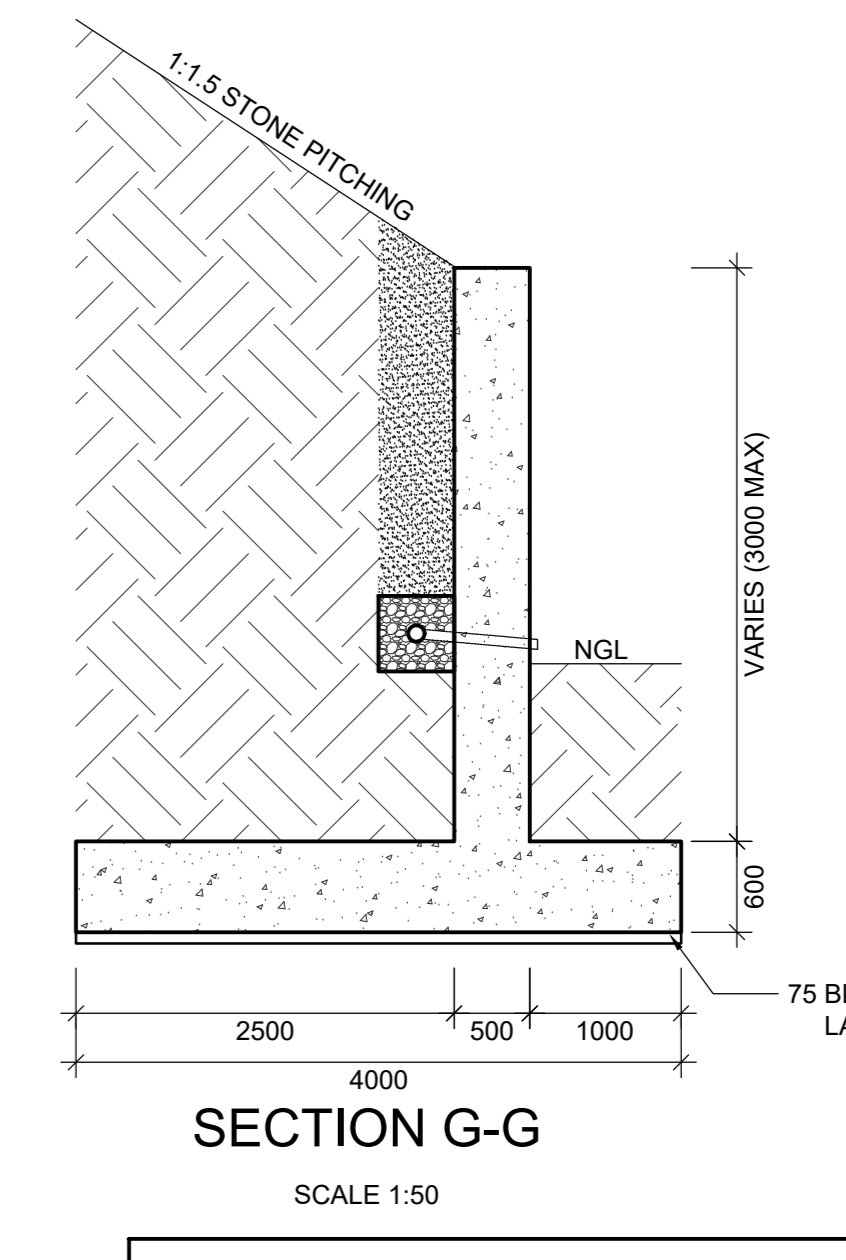
SECTION D-D
SCALE 1:50



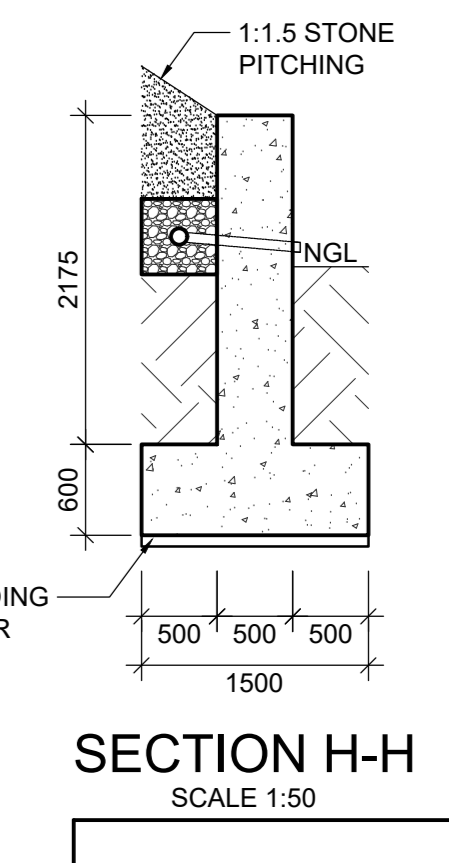
SECTION E-E
SCALE 1:50



SECTION F-F
SCALE 1:50

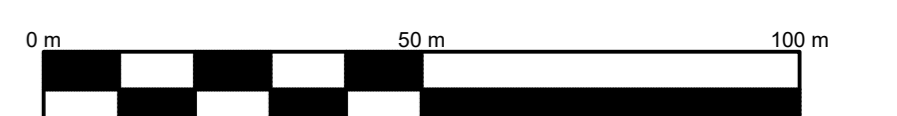


SECTION G-G
SCALE 1:50

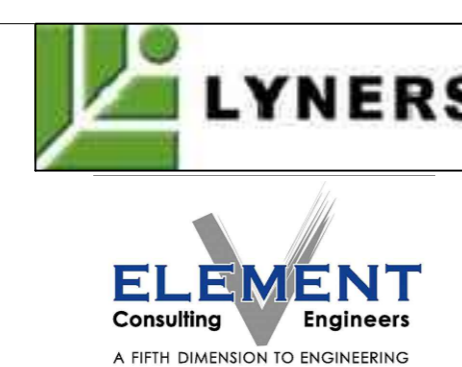


SECTION H-H
SCALE 1:50

FOR TENDER
(TENDER APPROVAL ONLY)



NO.	DATE	ADDITIONS AND AMENDMENTS	APPROVED		DESIGNED BY:	CW
			CONS.	PRE		
A	13.02.2018	FOR TENDER APPROVAL			CHECKED BY:	LDT
					DRAWN BY:	CW
					CHECKED BY:	BZ



CONSULTING ENGINEERS
DATE: _____

WESTERN CAPE GOVERNMENT
DEPARTMENT OF TRANSPORT AND PUBLIC WORKS

APPROVED
THIS APPROVAL IS FOR PROCEDURAL AND ADMINISTRATIVE REVIEW PURPOSES ONLY AND DOES NOT ATTRACT LEGAL LIABILITY OF ANY KIND FROM WHATSOEVER OR HOWEVER ARISING
PROVINCIAL ROADS ENGINEER
DATE: _____

**PROPOSED ROAD OVER RAIL BRIDGE No. 6048 ON
DR 1103 OVER KLAPMUTS-PAARL RAIL NEAR SIMONSVLEI**
RETAINING WALL(S) CONCRETE LAYOUT & DETAILS

P.R.E.'S FILE NO.	SCALE
970123	AS SHOWN
CONTRACT NO.	WCG STRUCTURE PLAN
TPW 16/8/4/14-C0850.01	
CONSULTANTS DWG NO.	WCG INDEX NO.
150049/S/010	A93/23