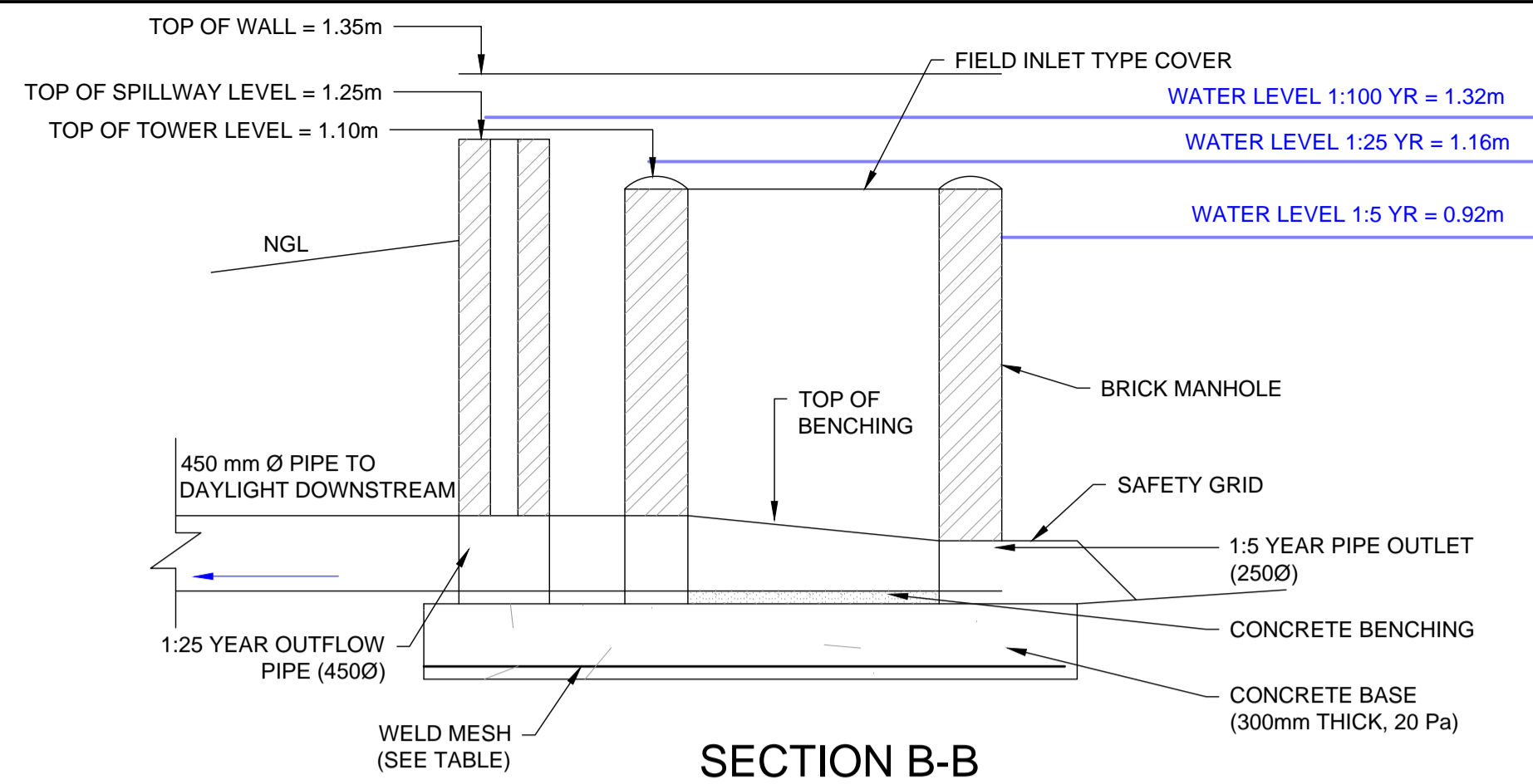
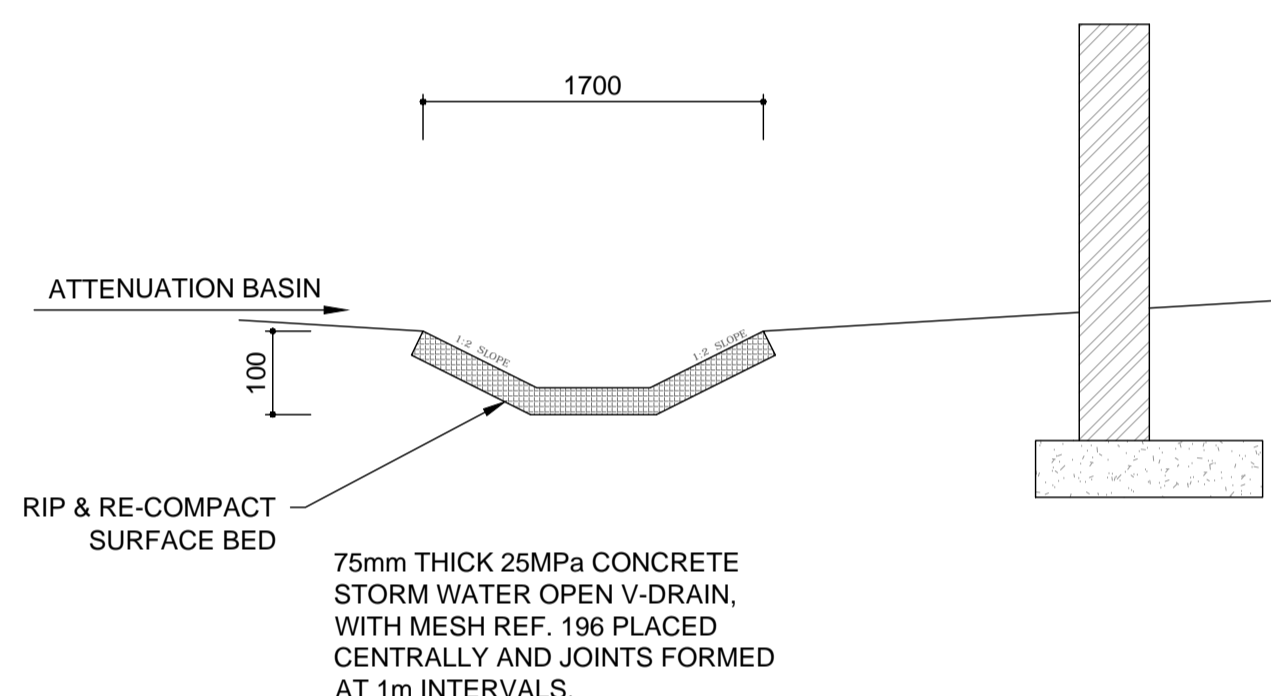


SECTION A-A (SPILLWAY)
SCALE 1:25

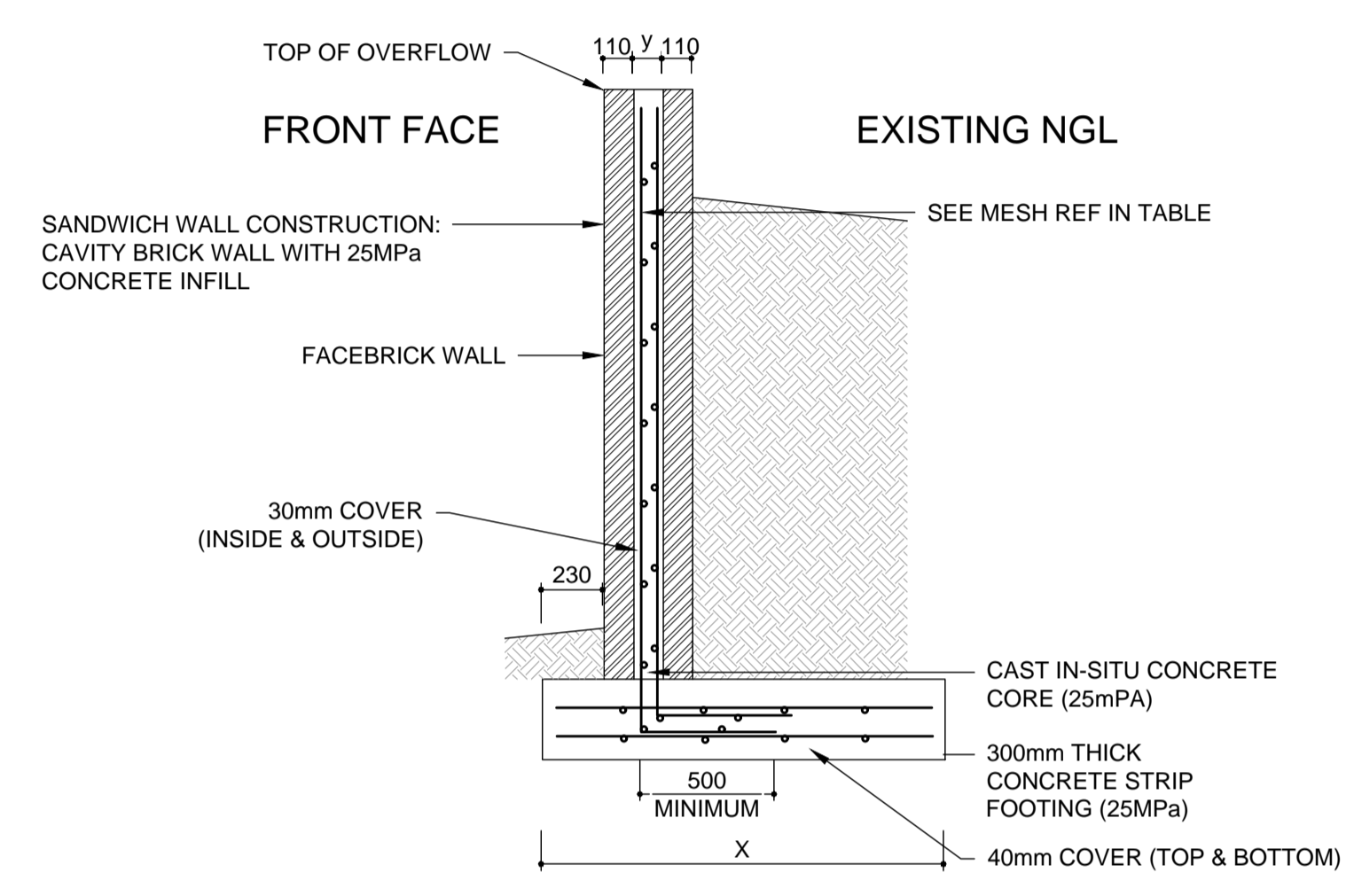


SECTION B-B (SPILLWAY)
SCALE 1:25

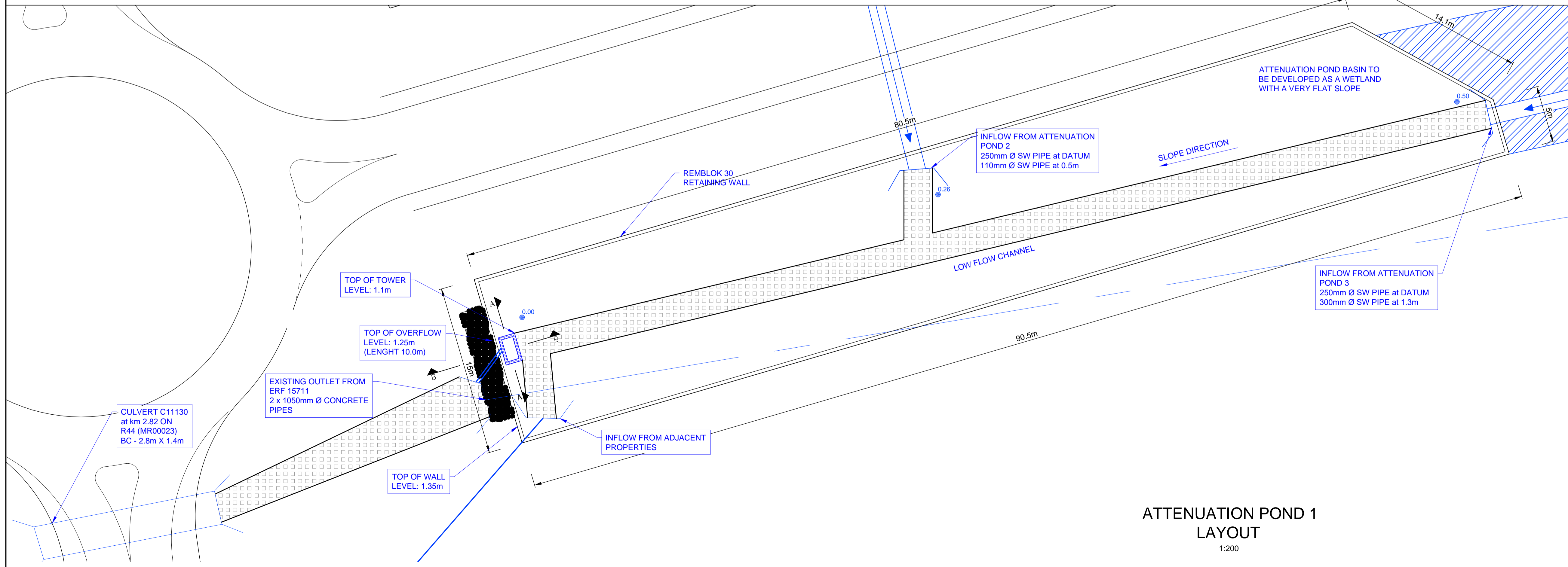


LOW FLOW CHANNEL
NTS

h	x	y	BASE REINF. TOP	BASE REINF. BOTTOM	STARTER BARS		WALL REINF. EARTH FACE	WALL REINF. FRONT FACE
					EARTH FACE	FRONT FACE		
1.0	800	110	Y10/300 BOTH WAYS	Y10/300	MESH 245	-	MESH 245	-
1.5	900	110	Y10/300 BOTH WAYS	Y10/300	Y10/200	-	MESH 395	-
2.0	1 200	150	Y10/300 BOTH WAYS	Y10/300	Y10/200	-	MESH 617	-
2.5	1 500	200	Y10/200 BOTH WAYS	Y10/200	Y12/200	Y10/200	MESH 617	MESH 395
3.0	1 800	250	Y10/200 BOTH WAYS	Y10/200	Y12/200	Y10/200	MESH 617	MESH 617



RETAINING WALL DETAIL
SCALE 1:25



ATTENUATION POND 1 LAYOUT
1:200

APPROVED		TOWN ENGINEER		TRIPLE THREE ENGINEERING	
BENCH MARKS					
BM	Y	X	Z		
GENERAL NOTES					
1. THE CONTRACTOR IS TO CONFIRM ALL DIMENSIONS ON SITE AND TO REPORT ANY DISCREPANCIES TO THE ENGINEER IMMEDIATELY.					
2. ALL WORK IS TO BE EXECUTED IN ACCORDANCE WITH THE PROVISIONS OF SANS 1200.					
3. NOTE THAT NO OTHER BURIED SERVICES ARE INDICATED ON THIS DRG.					
4. DIMENSIONS ARE NOT TO BE SCALED FROM THIS DRAWING.					
5. THIS DRAWING IS NOT TO BE USED FOR CONSTRUCTION UNLESS SPECIFICALLY DIRECTED OR INDICATED.					
6. THE CONTRACTOR IS REQUIRED TO MINIMISE DUST AND NOISE NUISANCE TO ALL SURROUNDING PROPERTIES.					
7. A MINIMUM NOTICE PERIOD OF 24 HOURS IS REQUIRED FOR ANY INSPECTION.					
8. CONTRACTOR IS TO PROVIDE A DETAILED SCHEDULE OF INFORMATION REQUIRED INDICATING ALL SUCH DATES.					
LEGEND					
REVISIONS					
A	JM	16-05-2018	SUBMIT WITH SWMR		
NO.	DRAWN	DATE	REVISION		
CLIENT INFORMATION					
CONSULTING ENGINEERS					
18 on Main Street, Paarl, 7646 / P O Box 200, Paarl, 7620 Tel 021 863 1244 / Fax 021 863 1246 or 086 263 3934 / info@triple3.co.za / www.triple3.co.za					
PROJECT					
ERF 15712 WELLINGTON					
DESCRIPTION					
STORMWATER ATTENUATION POND 1 TOWER SPILLWAY					
DESIGNED	JM	SCALE	AS SHOWN	A1	
PR TECH (ENG)	201550385				
DRAWN	JM	DATE	16-05-2018		
APPROVED	GLR	CONTRACT NO	323		
PR TECH (ENG)	200070105				
DRAWING NO.	323-03-03	SHEET		1 OF 1	
PROJECT STATUS					
<input checked="" type="radio"/> Concept Drawing <input type="radio"/> Approval Drawing <input type="radio"/> Tender Drawing <input type="radio"/> Construction Drawing <input type="radio"/> As-Built Drawing					
REVISION	A				