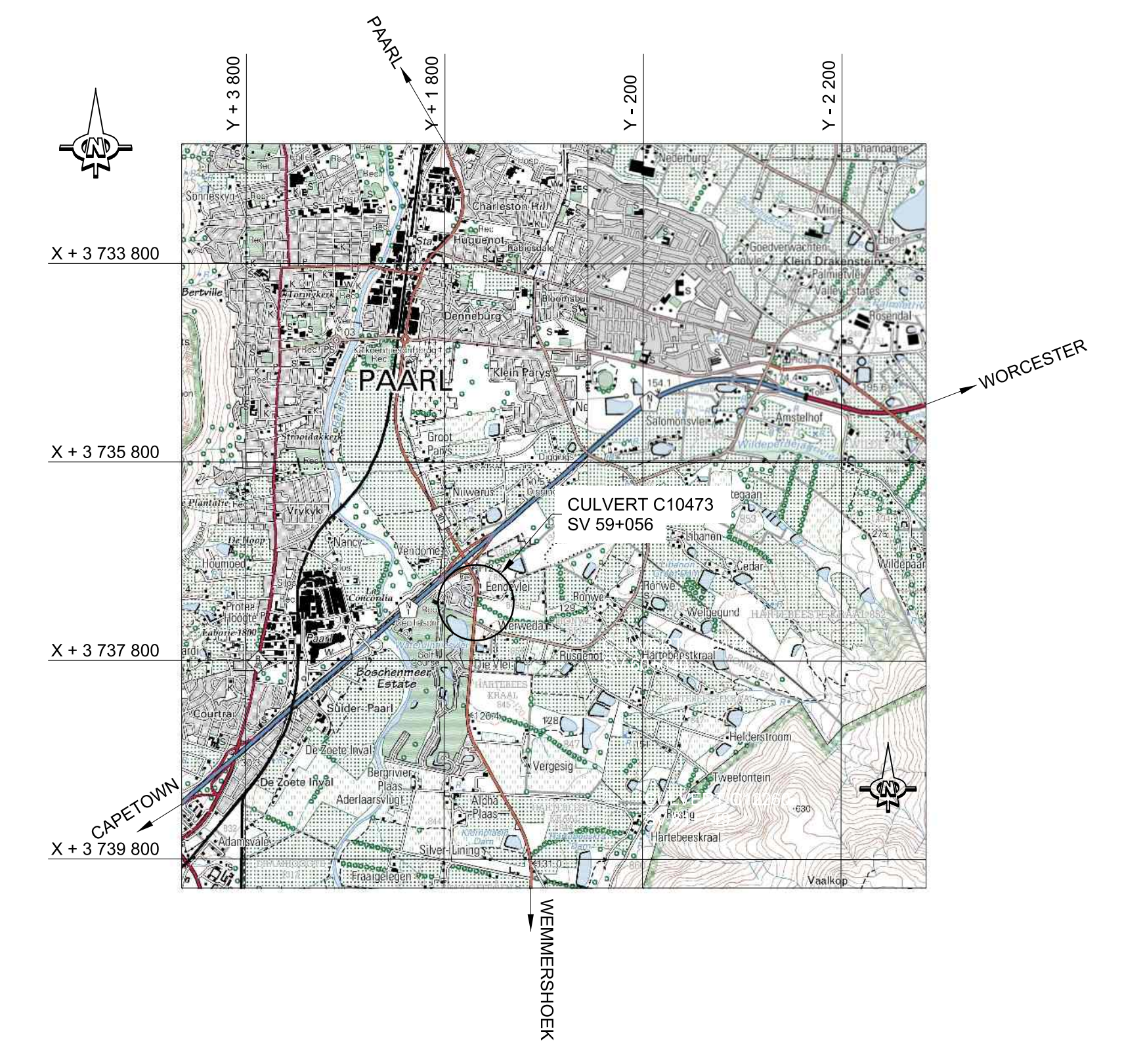
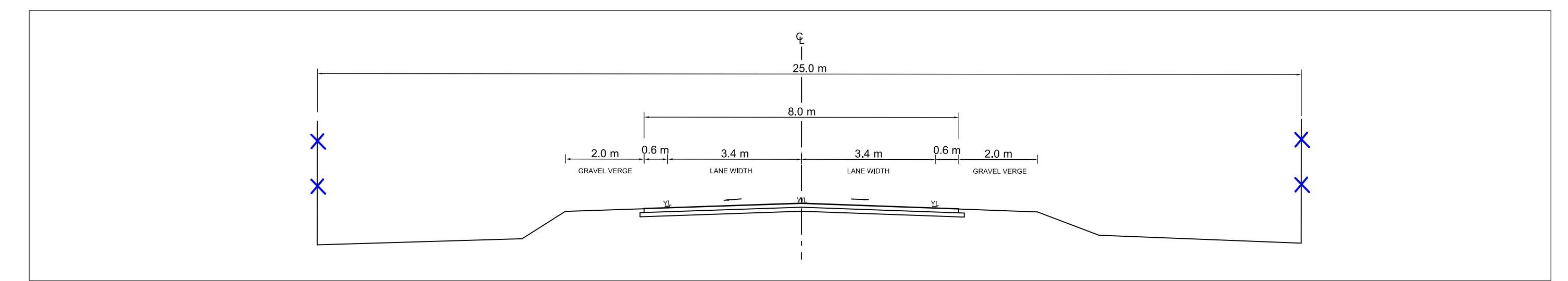


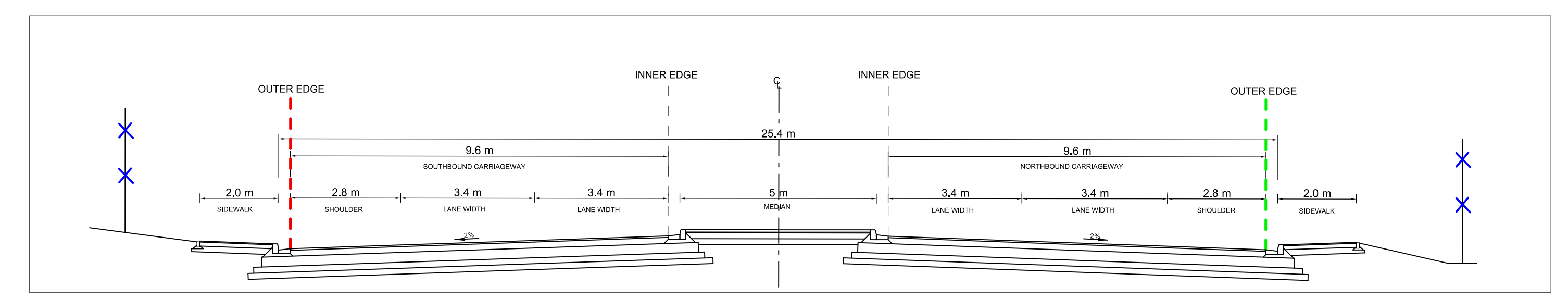
LOCALITY PLAN  
SCALE 1:500



KEY PLAN  
SCALE 1:50 000



EXISTING TYPICAL CROSS SECTION  
SCALE 1:100



PROPOSED APPROACH ROAD CROSS SECTION  
SCALE 1:100

CO-ORDINATE LIST			
POINT No.	CHAINAGE	X CO-ORDINATE	Y CO-ORDINATE
METRIC Lo 19° WGS84			
C1	50+059	3 737 219.45	1 485.18
C2	50+059	3 737 216.41	1 481.09

LIST OF DRAWINGS		
STRUCTURE PLAN No.	WCG INDEX No.	DESCRIPTION
10473-01	A93/668	SITE PLAN
10473-02	A93/669	GENERAL ARRANGEMENT
10473-03	A93/670	CONCRETE DETAILS
10473-04	A93/671	REINFORCEMENT DETAILS SHEET 1 OF 3
10473-05	A93/672	REINFORCEMENT DETAIL SHEET 2 OF 3
10473-06	A93/673	REINFORCEMENT DETAIL SHEET 3 OF 3
10473-07	A93/674	BENDING SCHEDULE

NO.	DATE	ADDITIONS AND AMENDMENTS	DESIGNED BY:	MNCEDI OJI
VI	12/12/19		CHECKED BY:	WESSEL LOURENS
			DRAWN BY:	MNCEDI OJI
			CHECKED BY:	WESSEL LOURENS



PROJECT DESIGN CO-ORDINATOR  
DATE:

**WESTERN CAPE GOVERNMENT**  
DEPARTMENT OF TRANSPORT AND PUBLIC WORKS

APPROVED  
THIS APPROVAL IS FOR PROCEDURAL AND ADMINISTRATIVE REVIEW PURPOSES ONLY AND DOES NOT ATTRACT LEGAL LIABILITY OF ANY KIND FROM WHATSOEVER OR HOWEVER ARISING  
PROVINCIAL ROADS ENGINEER  
DATE:

**PROPOSED EXTENSION OF CULVERT 10473 ON MAIN ROAD 201 AT KM 59,056 WILDEPERDEJAG RIVER**

**SITE PLAN**

P.R.E.'S FILE No. TFW 16/6/4/1/4 - MR00201	SCALE AS SHOWN
CONTRACT No. C1120	WCG STRUCTURE PLAN No. 10473-01
ORIGINAL PAPER SIZE. A0	WCG INDEX No. A93/668
	VI