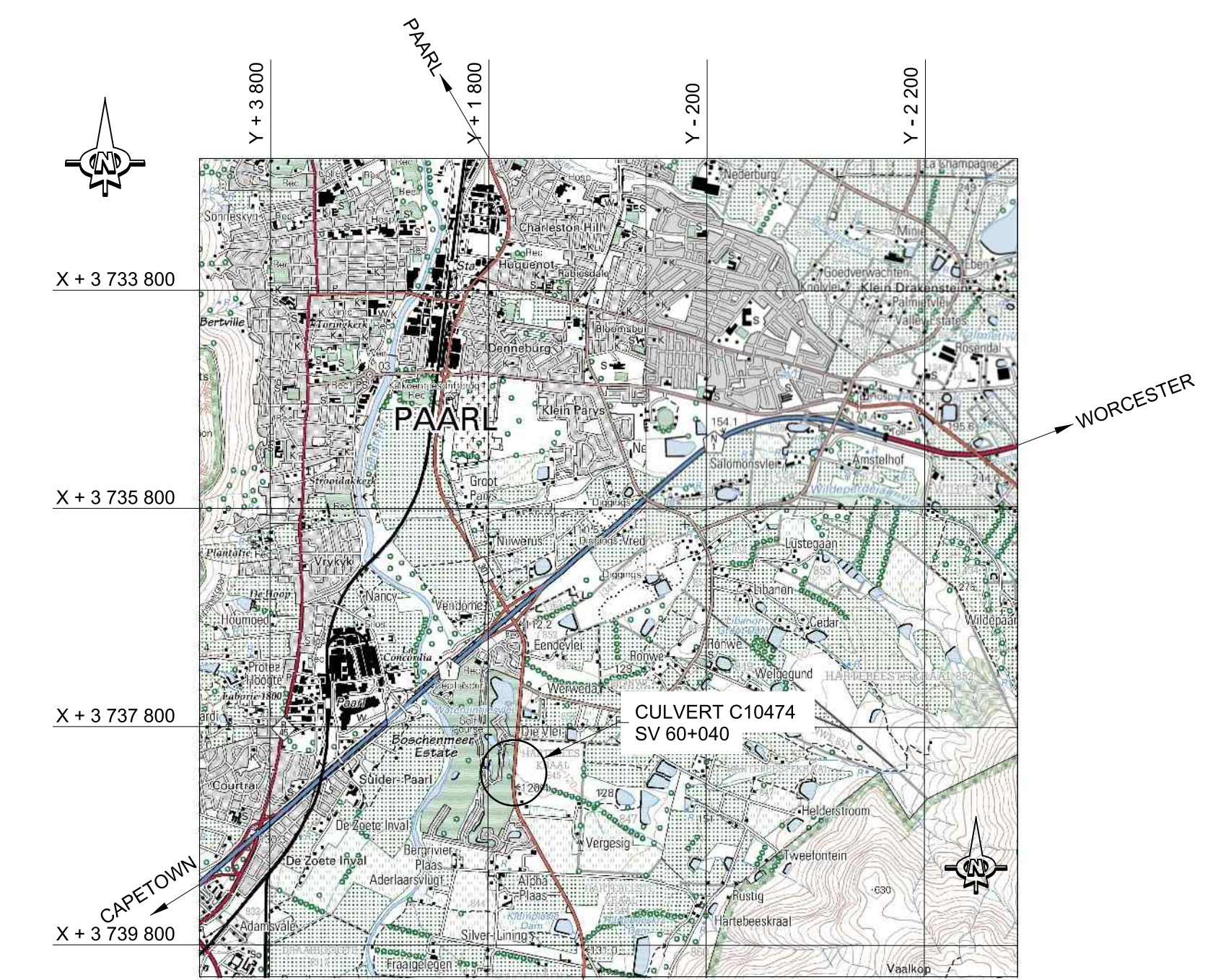
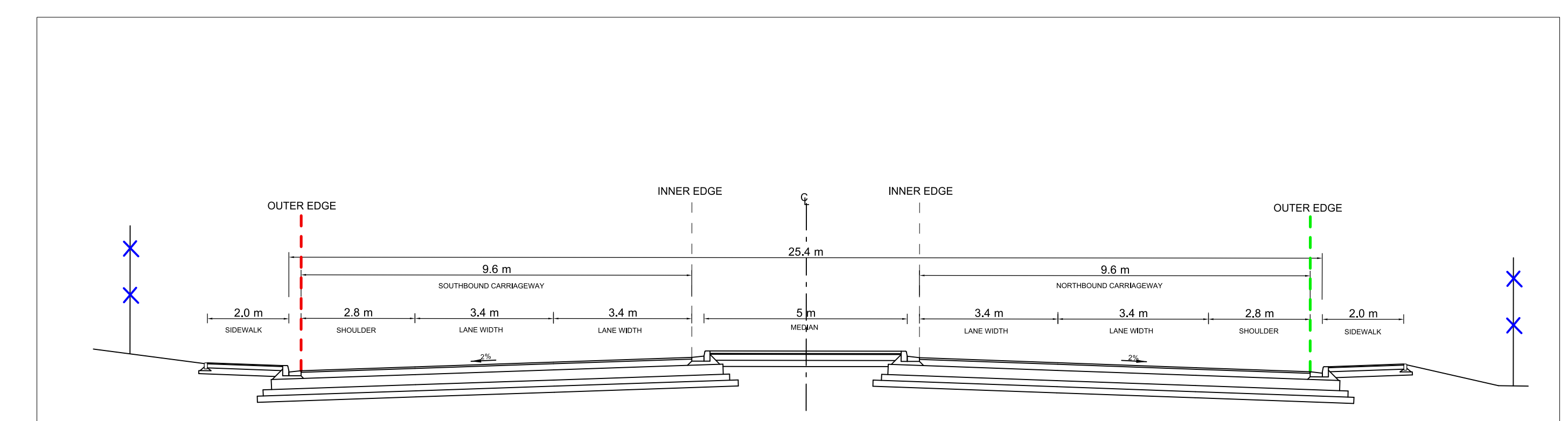
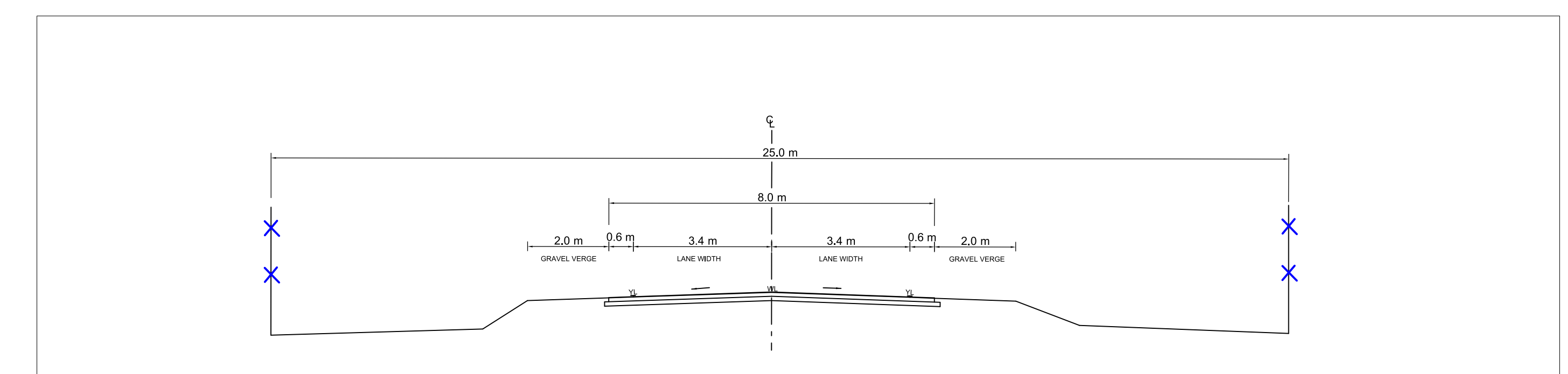


LOCALITY PLAN
SCALE 1:500



KEY PLAN
SCALE 1:50 000



CO-ORDINATE LIST			
POINT No.	CHAINAGE	X CO-ORDINATE	Y CO-ORDINATE
METRIC Lo 19° WGS84			
C1	60+040	3 738 223.21	1 547.99
C2	60+040	3 738 213.75	1 562.11

LIST OF DRAWINGS		
STRUCTURE PLAN No.	WCG INDEX No.	DESCRIPTION
10474-01	A93/675	SITE PLAN
10474-02	A93/676	GENERAL ARRANGEMENT
10474-03	A93/677	CONCRETE DETAILS
10474-04	A93/678	REINFORCEMENT DETAILS SHEET 1 OF 3
10474-05	A93/679	REINFORCEMENT DETAILS SHEET 2 OF 3
10474-06	A93/680	REINFORCEMENT DETAILS SHEET 3 OF 3
10474-07	A93/681	BENDING SCHEDULE

NO.	DATE	ADDITIONS AND AMENDMENTS	DESIGNED BY:	MNCEDI OJI
VI	12/12/19		CHECKED BY:	WESSEL LOURENS
			DRAWN BY:	MNCEDI OJI
			CHECKED BY:	WESSEL LOURENS



PROJECT DESIGN CO-ORDINATOR
DATE: _____

WESTERN CAPE GOVERNMENT
DEPARTMENT OF TRANSPORT AND PUBLIC WORKS

APPROVED
THIS APPROVAL IS FOR PROCEDURAL AND ADMINISTRATIVE REVIEW PURPOSES ONLY AND DOES NOT ATTRACT LEGAL LIABILITY OF ANY KIND FROM WHATSOEVER OR HOWEVER ARISING
PROVINCIAL ROADS ENGINEER
DATE: _____

PROPOSED EXTENSION OF CULVERT 10474 ON MAIN ROAD 201 AT KM 60.040 AT BERG RIVER TRIBUTARY

SITE PLAN

P.R.E.'s FILE No.	SCALE
TPW 16/6/4/1/4 - MR00201	AS SHOWN
CONTRACT No.	WCG STRUCTURE PLAN No.
C1120	10474-01
ORIGINAL PAPER SIZE:	WCG INDEX No.
A0	A93/675