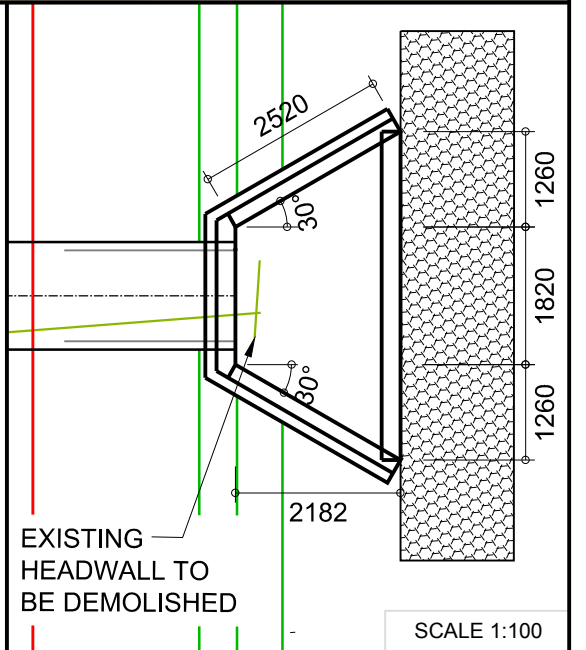
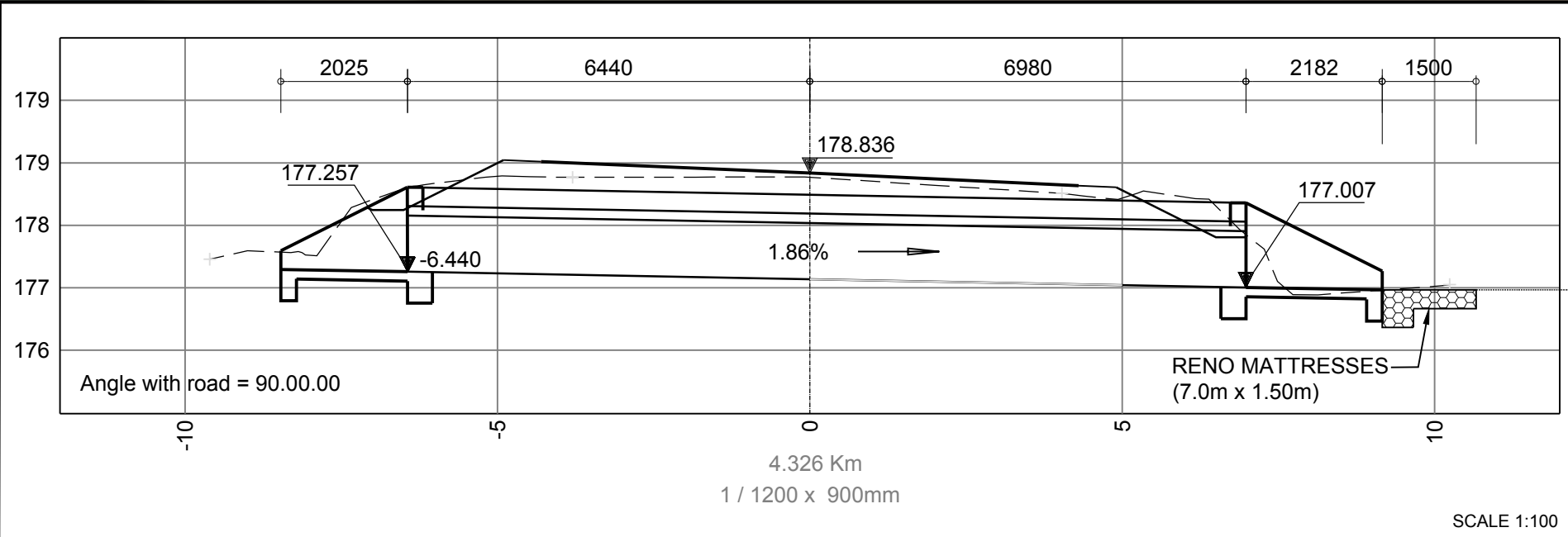
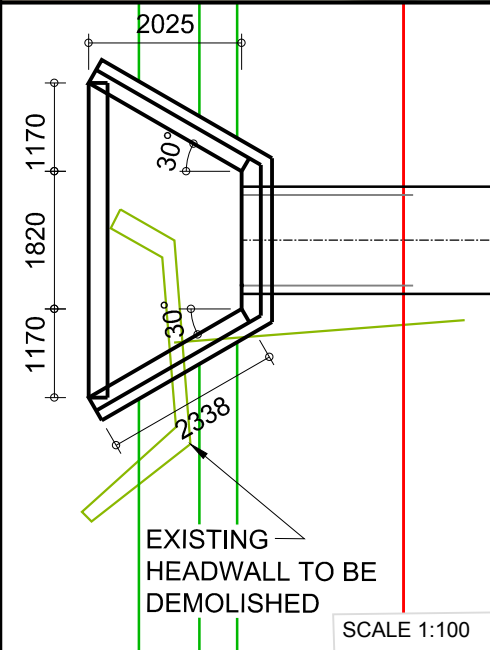


SCALE 1:500



No.	DATE	ADDITIONS AND AMENDMENTS	APPROVED	DESIGNED BY:	R.O.	<p>31 Allen Drive Cape Town Loevenstein 7535 Tel: (021) 912-3000 www.ixengineers.co.za</p>	CONSULTING ENGINEERS	<p>Western Cape Government Transport and Public Works</p>	APPROVED	<p>UPGRADING OF DIVISIONAL ROAD 1098 (km 0,00 TO km 8,79)</p> <p>BOX CULVERT 1 / 1200x 900mm AT km 4,326</p>	PRELIMINARY	<p>P.B.E.'s FILE No. TWP16/6/4/1/1 Div Rd1098-C1049 CONTRACT No. C1049</p>	SCALE		
			CONS. ENG.	PRE	CHECKED BY:		F.W.S		DATE		PROVINCIAL ROADS ENGINEER		DATE	FOR INFORMATION ONLY	AS SHOWN
					DRAWN BY:		E.S							FOR APPROVAL	ORIGINAL SIZE AS
					CHECKED BY:									FOR TENDER PURPOSES	WCPA STRUCTURES PLAN No.
										FOR CONSTRUCTION	WCPA INDEX No.				