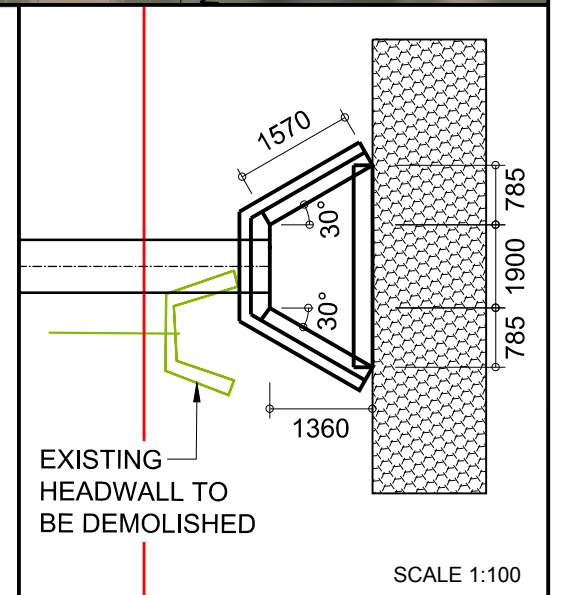
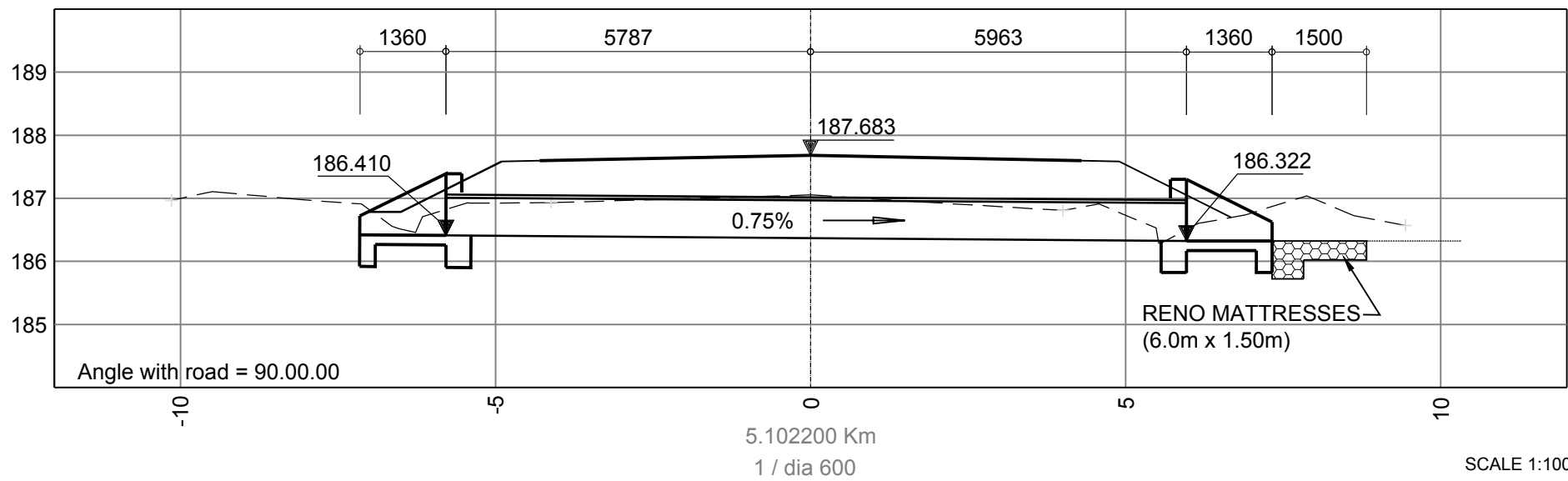
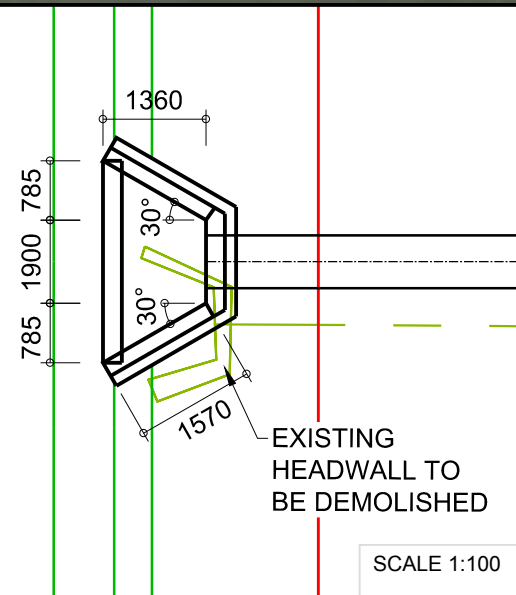


SCALE 1:500

- NOTE:**
- EXISTING 1 / Ø 600 CULVERT TO BE REPLACED WITH A NEW 1 / Ø 600 CULVERT.
 - CONSTRUCT NEW INLET / OUTLET STRUCTURES.
 - PROVIDE RENO MATTRESS OUTLET PROTECTION TO PREVENT EROSION.



No.	DATE	ADDITIONS AND AMENDMENTS

APPROVED		DESIGNED BY:	R.O.
CONS. ENG.	PRE		
		CHECKED BY:	F.W.S
		DRAWN BY:	E.S
		CHECKED BY:	

ixengineers
Infrastructure Excellence

31 Allen Drive Cape Town
Loevenstein 7535 Tel: (021) 912-3000
www.ixengineers.co.za

CONSULTING ENGINEERS
DATE

Western Cape Government
Transport and Public Works

APPROVED
PROVINCIAL ROADS ENGINEER
DATE

UPGRADING OF DIVISIONAL ROAD 1098
(km 0,00 TO km 8,79)

PIPE CULVERT 1 / Ø 600mm
AT km 5,102

PRELIMINARY	
FOR INFORMATION ONLY	✓
FOR APPROVAL	
FOR TENDER PURPOSES	
FOR CONSTRUCTION	

PRE'S FILE No: TWP16/6/4/1/1
Div Rd1098-C1049
CONTRACT No: C1049
CONSULTANT'S PLAN No: C00069-10-EN-DAL-0012-001

SCALE AS SHOWN
ORIGINAL SIZE AS SHOWN
WCPA STRUCTURES PLAN No. WCPA INDEX No.