

TABLE 1: SWALE DIMENSIONS

BASE WIDTH (m)	TOP WIDTH (m)	TOTAL DEPTH (m)
1.0	3.0	0.5

TABLE 2: OUTLET STRUCTURE SUMMARY

SWALE	WEIR	ORIFICE 1	ORIFICE 2	ORIFICE 3	ORIFICE 4	ORIFICE 5	SPILLWAY
WXH @ IL 0.03(W)x0.02(H) @ RL77.90m	WXH @ IL 2.0(W)x0.19(H) @ RL78.21m	WXH @ IL 0.06(W)x0.05(H) @ RL76.20m	WXH @ IL 0.21(W)x0.05(H) @ RL77.10m	WXH @ IL 0.19(W)x0.06(H) @ RL77.43m	WXH @ IL 0.26(W)x0.06(H) @ RL77.63m	WXH @ IL 0.52(W)x0.06(H) @ RL77.81m	LENGTH @ IL RL78.00m

TABLE 3: DRY ATTENUATION POND INFORMATION

FOREBAY		FILTERBED		MICROPOOL	
IL (RLm)	AREA (m²)	IL (RLm)	AREA (m²)	IL (RLm)	AREA (m²)
75.20	70.00	76.20	150.00	75.20	30.00

TABLE 4: GRADING OF FILTERBED

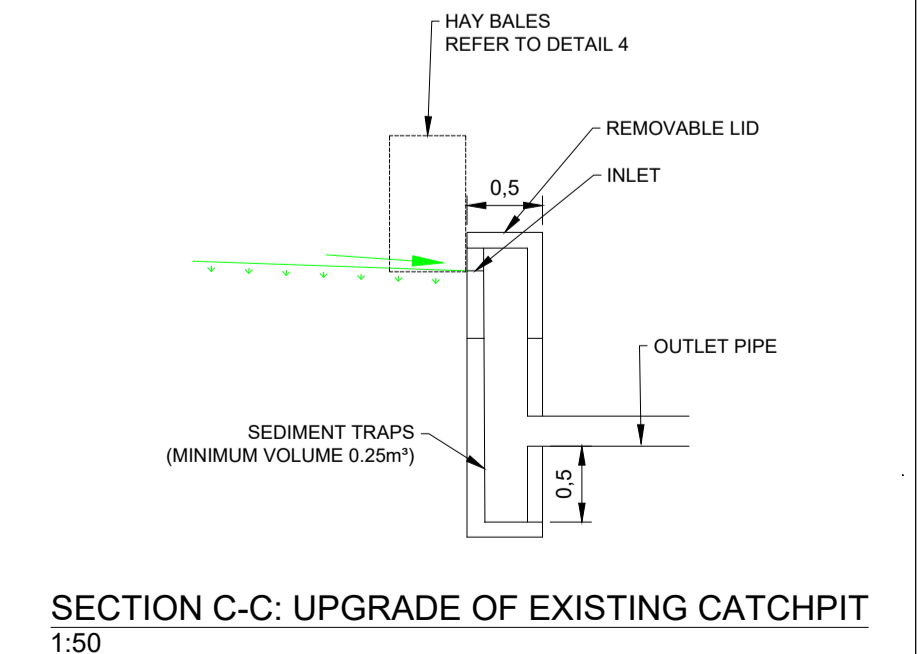
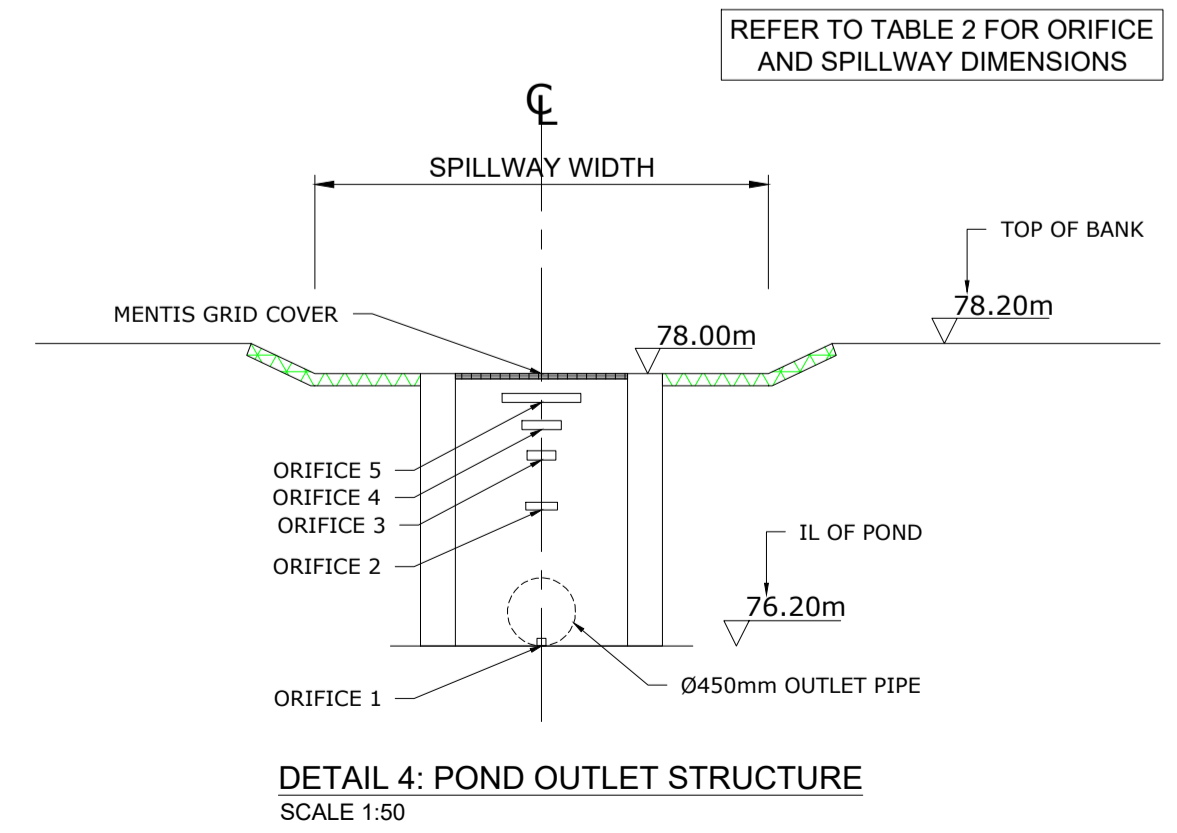
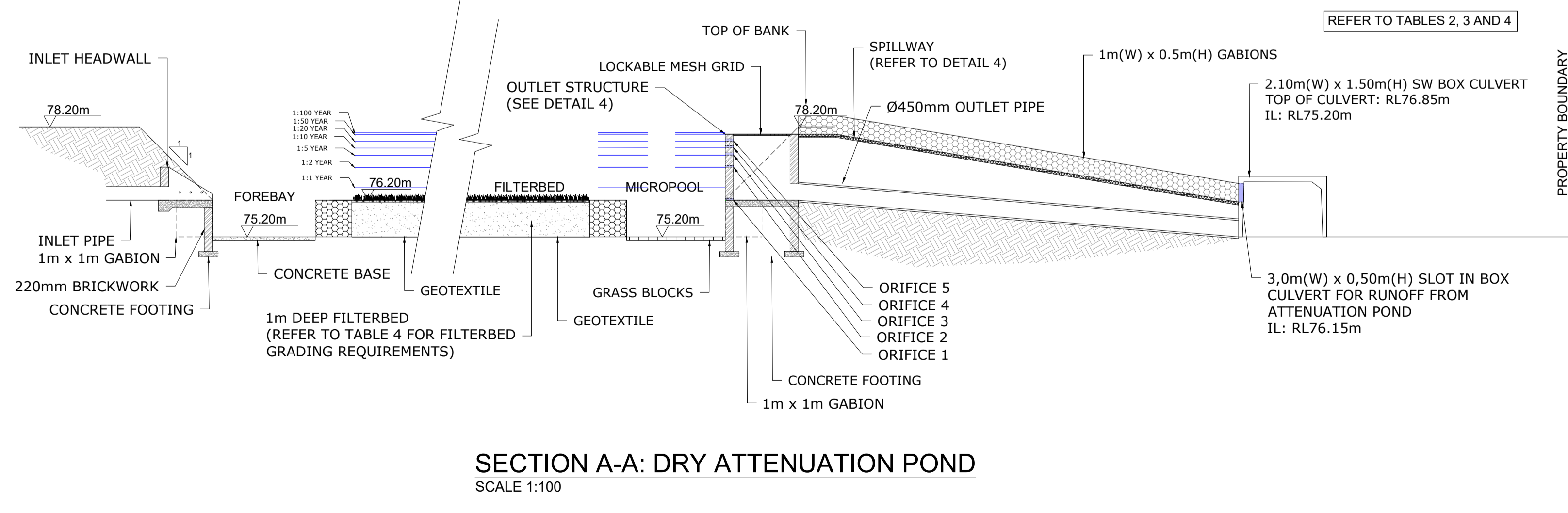
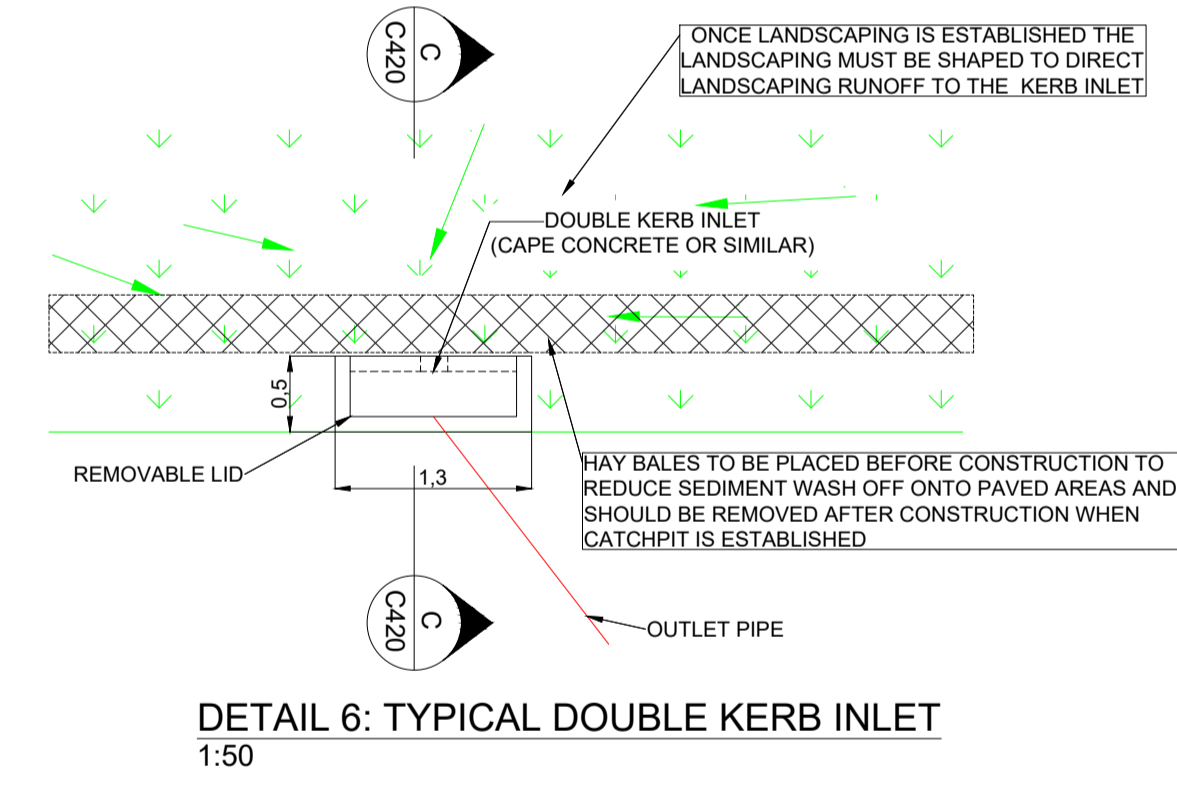
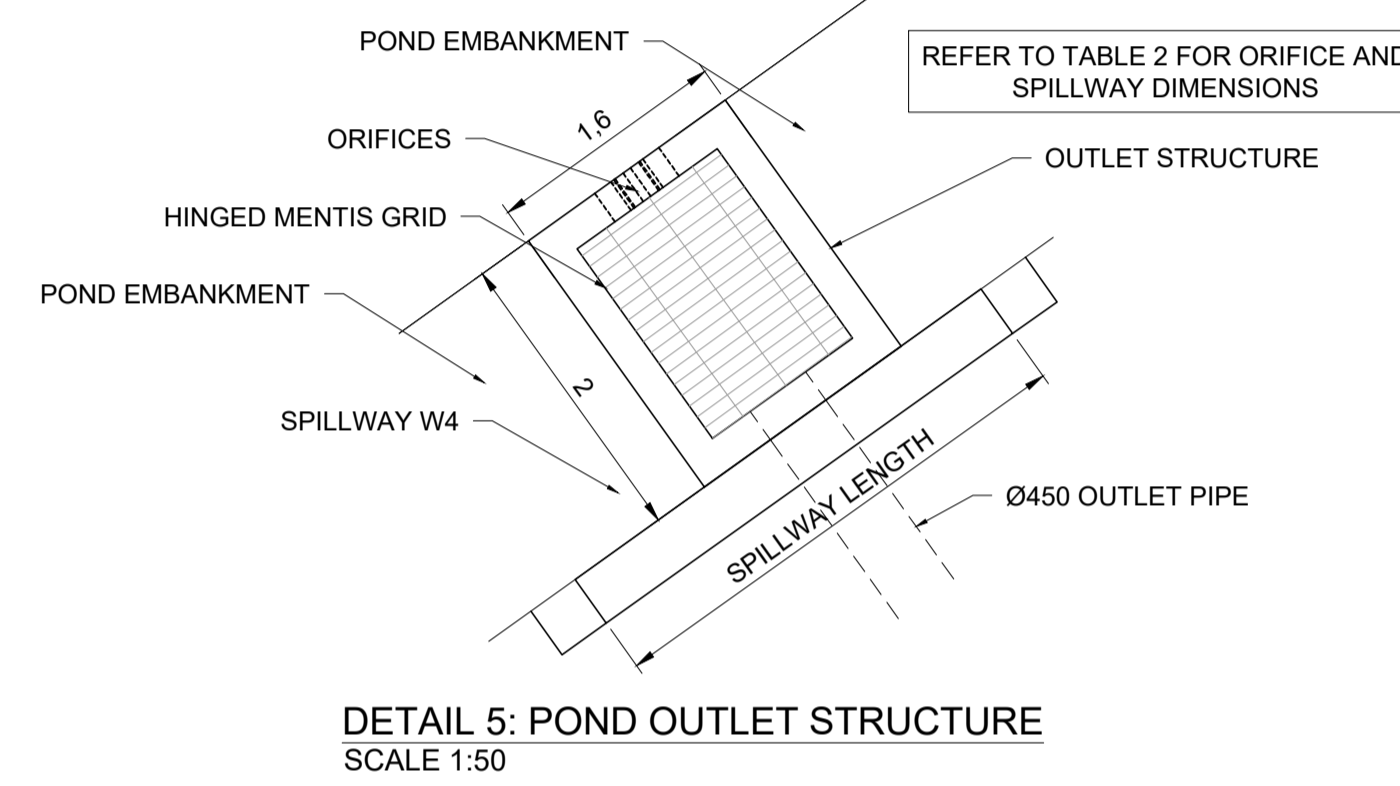
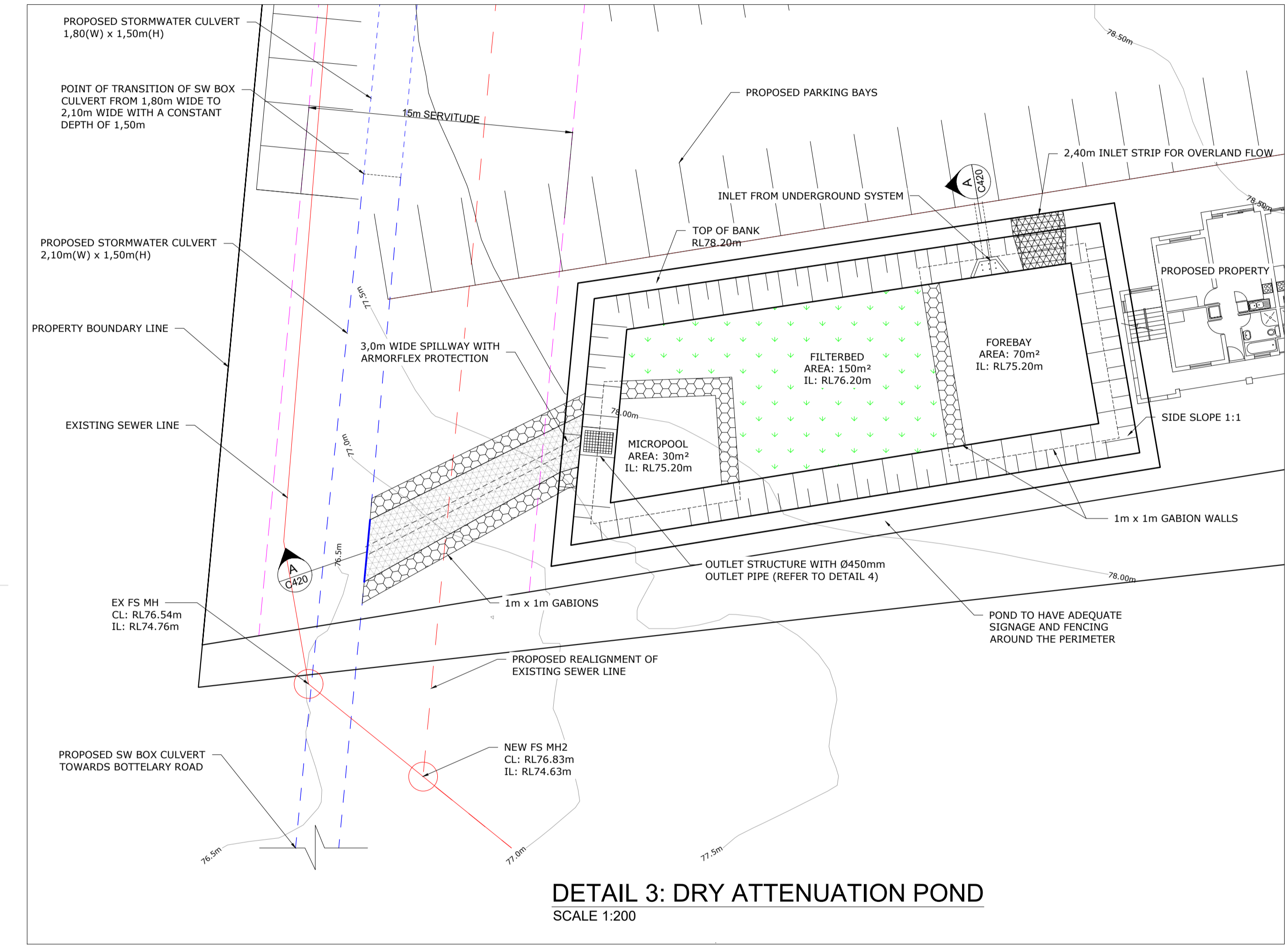
Sieve size (mm)	Soil Type	% Passing
6	Fine Gravel	100
2	Coarse sand	90-100
0.6	Medium sand	40-70
0.2	Fine Sand	5-20
0.063	Clay/silt	<5

Notes:
 1. Depth as per stormwater management plan.
 2. Add 3-5% organic material by weight.
 3. Ph 5.5-8.5
 4. Underdrain porosity >30%
 5. Electrical Conductivity, Salinity <3300 µS/cm
 6. Minimum infiltration rate > 300mm/day
References:
 - CIRIA Report C753 The SuDS Manual
 - Georgia Stormwater Management Manual, Vol 2 Technical Manual

REVISION:

No.	DATE	DESCRIPTION
B	2018-07-02	ALL DRAWINGS AND TABLES HAVE BEEN UPDATED
C	2018-09-18	ALL DRAWINGS AND TABLES HAVE BEEN UPDATED FOR NEW SWMP

NOTES:
 1. LOCAL GRID CO-ORDINATE SYSTEM WAS USED.
 2. THIS DRAWING SHOULD BE READ IN CONJUNCTION WITH THE STORMWATER MANAGEMENT PLAN REPORT.
 3. SURVEY OF PORTION 15 OF FARM 222, STELLENBOSCH WAS DONE BY TV3 SURVEYORS, DRAWING: sb222-15t.dwg, DATED 2018-06-21.
 4. PROPOSED STORMWATER NETWORK INVERT LEVELS WERE CHECKED AND IN PRINCIPLE WILL FUNCTION. FINAL STORMWATER LEVELS AND DESIGN TO BE DONE IN THE DETAIL DESIGN PHASE.



SPECIFICATIONS:

PROJECT:
 STORMWATER MANAGEMENT PLAN:
 PROPOSED RESIDENTIAL DEVELOPMENT ON FARM 222 PORTION 15, STELLENBOSCH

DRAWING TITLE:
 STORMWATER MANAGEMENT PLAN:
 STORMWATER COMPONENTS

CLIENT:
 Tygerberg Office Park
 163 Uys Krige Drive
 Cape Town
 Tel: 021 930 9360

EKCON
 ENGINEERS & PROJECT MANAGERS

Graeme McGill consulting
 Tel : 021 976 0386
 Cell: 082 550 9108
 Fax: 086 517 6574
 PO Box 332
 DURBANVILLE
 7551
 graeme@mcgillconsulting.co.za

DRAWN BY	DESIGNED BY
DL FEBRUARY	GA MCGILL Pr Eng No. 780269
DATE	2017-11-17
SCALE	AS SHOWN (A1)
DRAWING NO	MC238-C420
REVISION	C